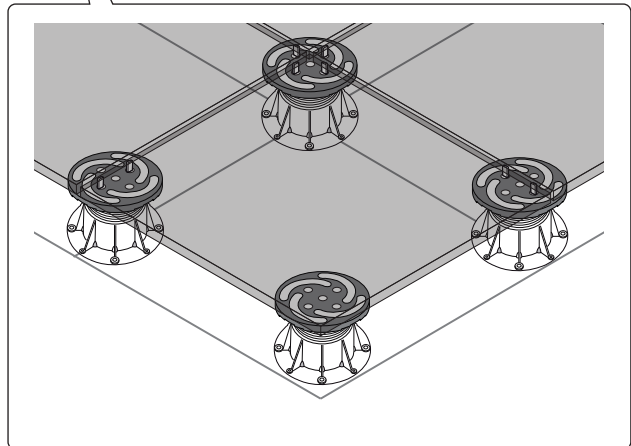
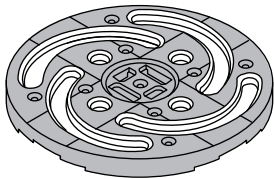
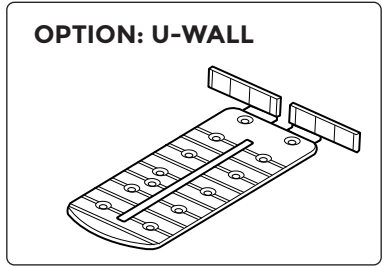
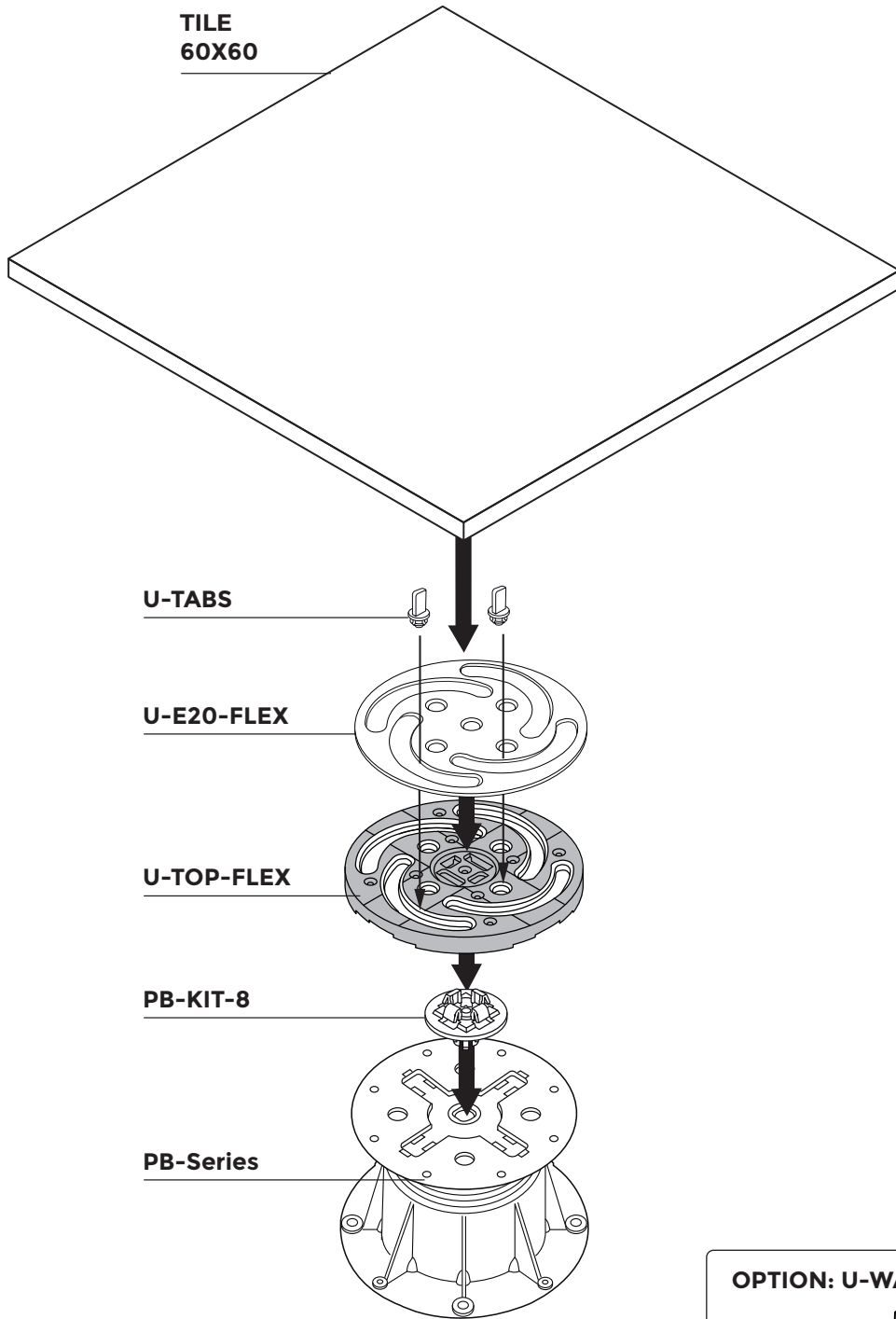


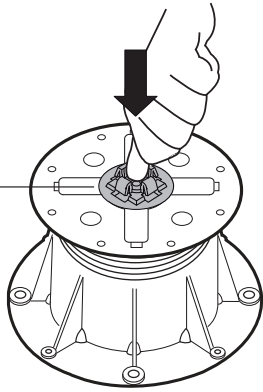
U-TOP-FLEX





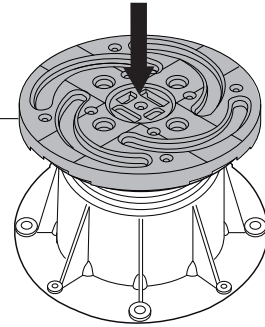
1

PB-KIT-8



2

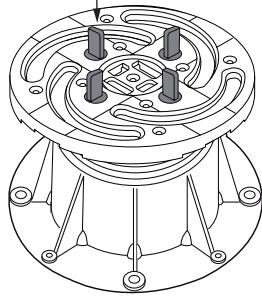
U-TOP-FLEX



3

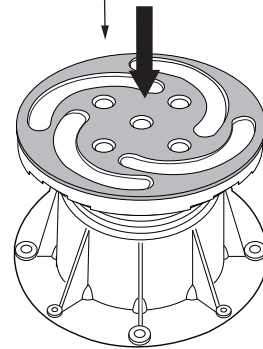
U-TABS

- A** U-TABS X0
- B** U-TABS X2
- C** U-TABS X4



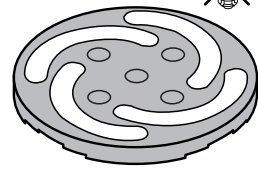
4

U-E20-FLEX



5

A U-TABS X0



B

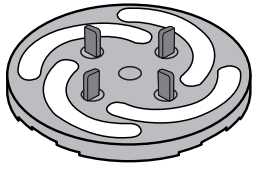
B

B U-TABS X2

B

B

C U-TABS X4



C

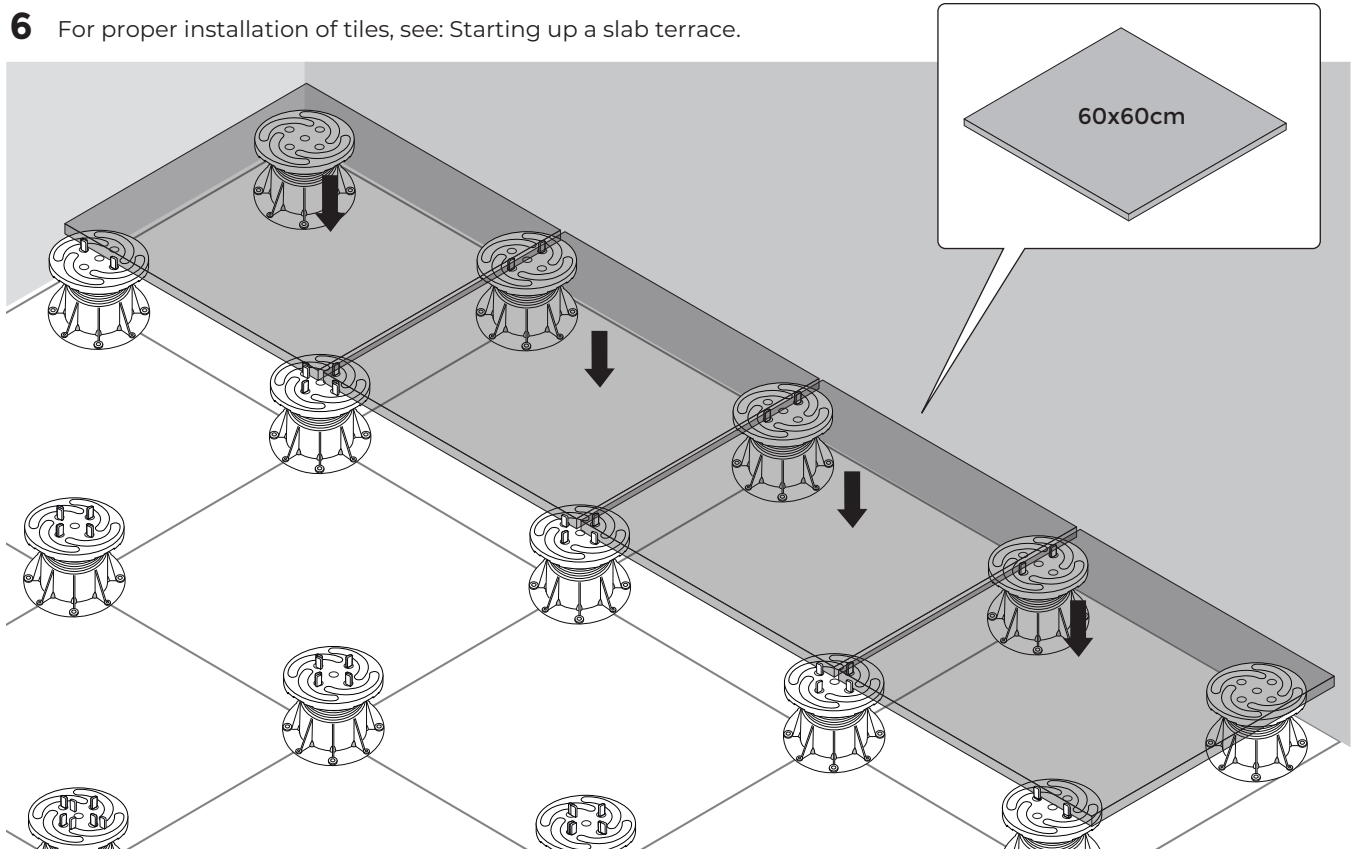
C

C

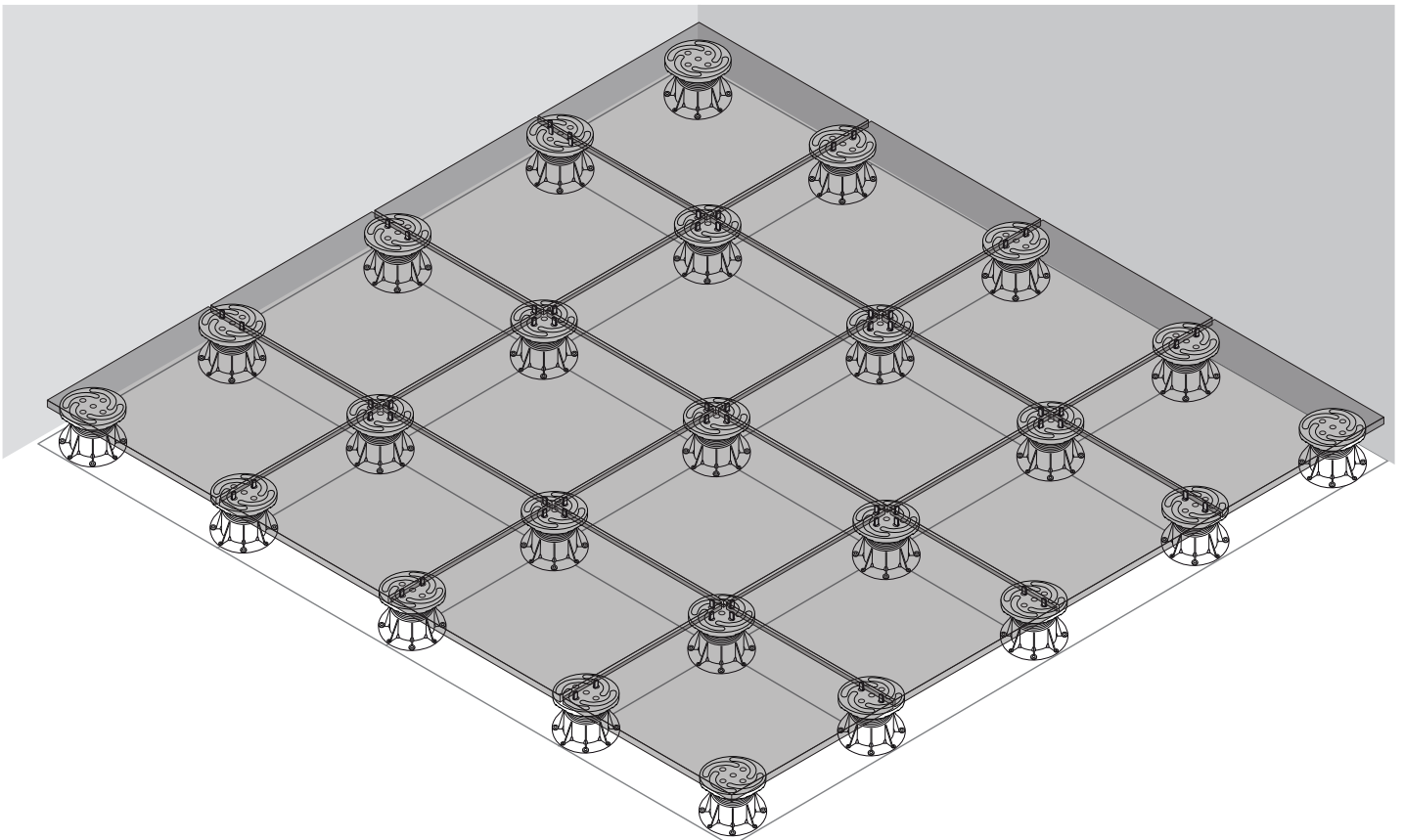
B

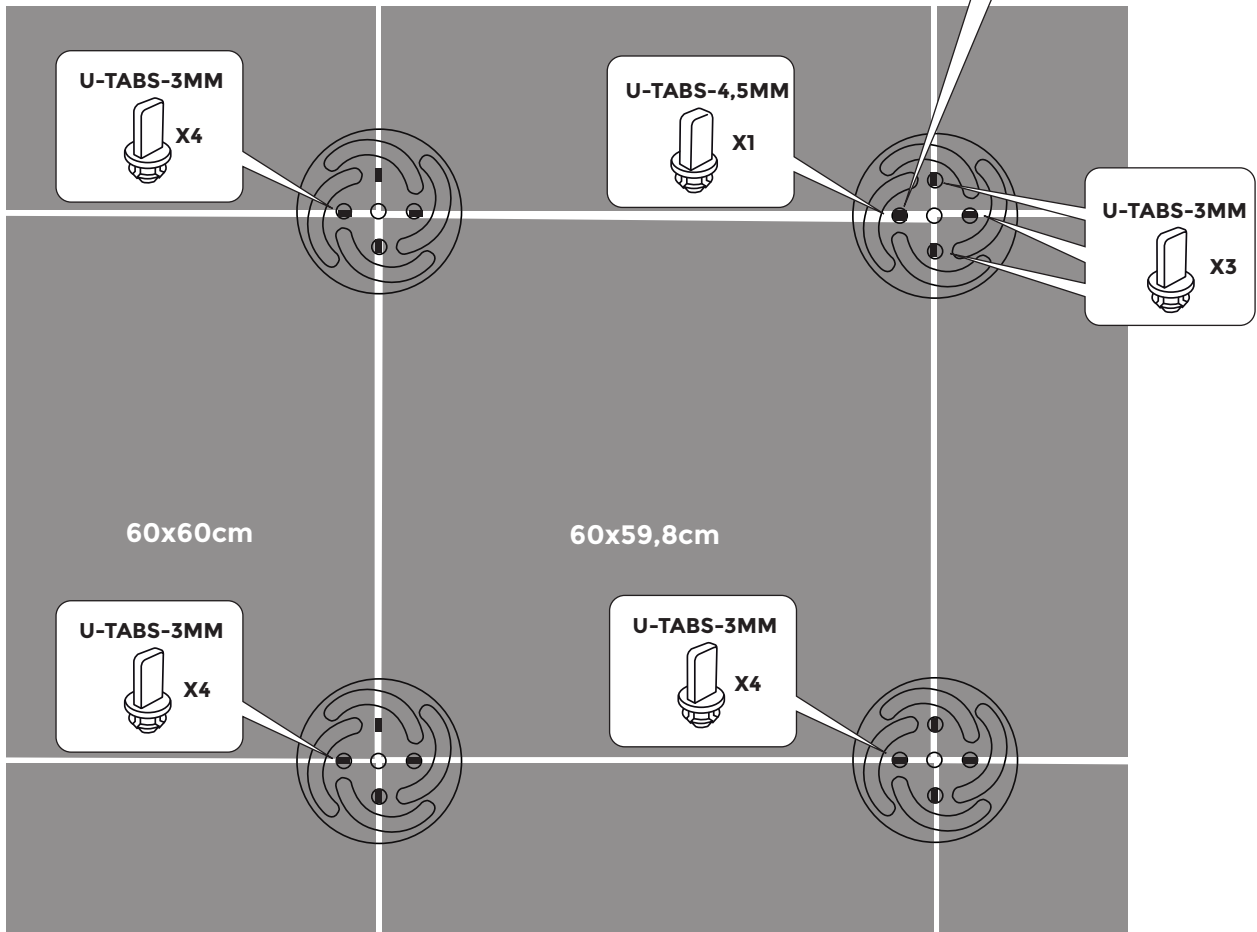
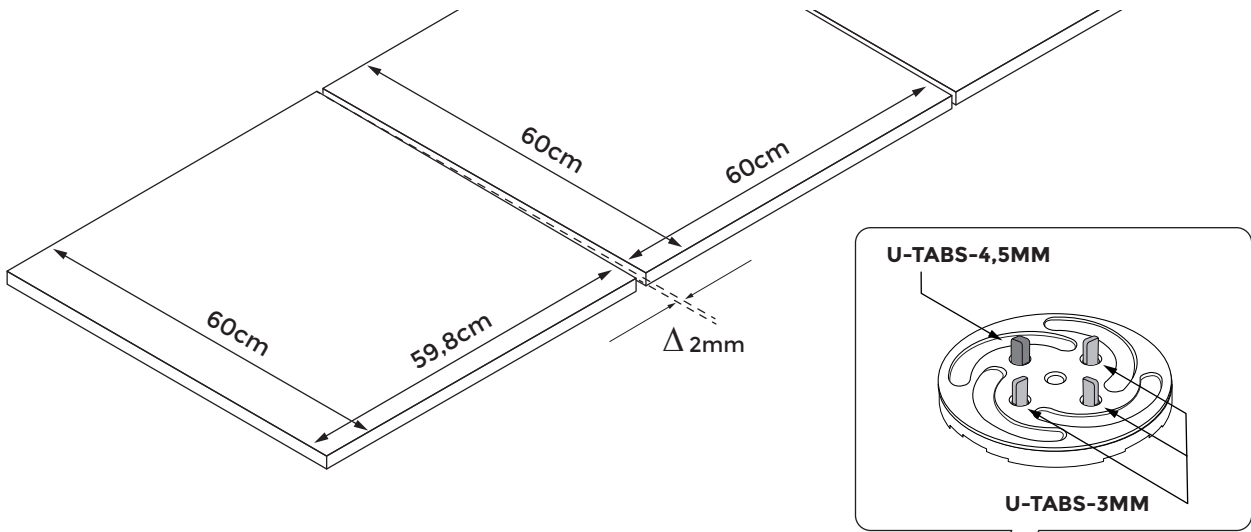
A

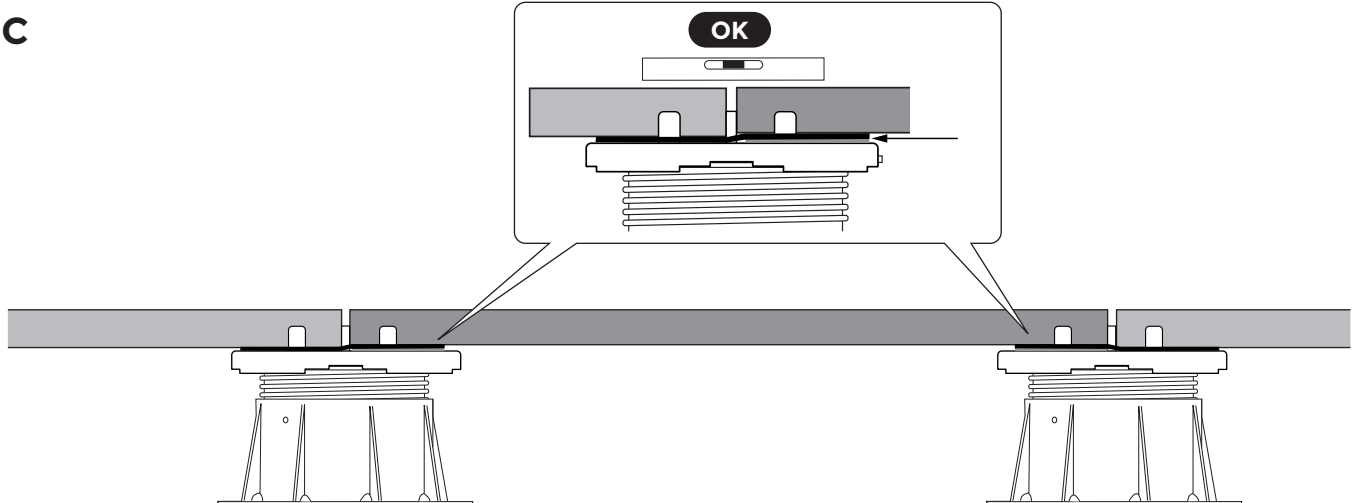
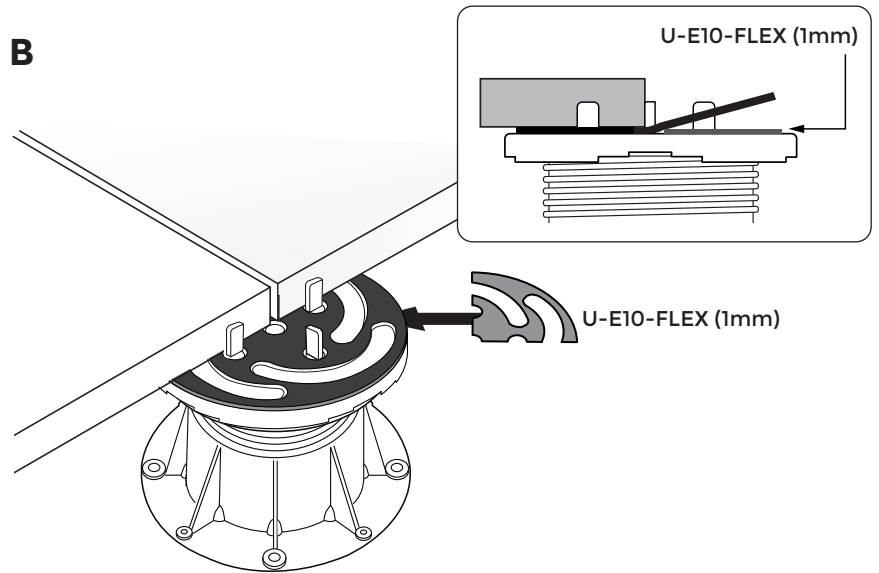
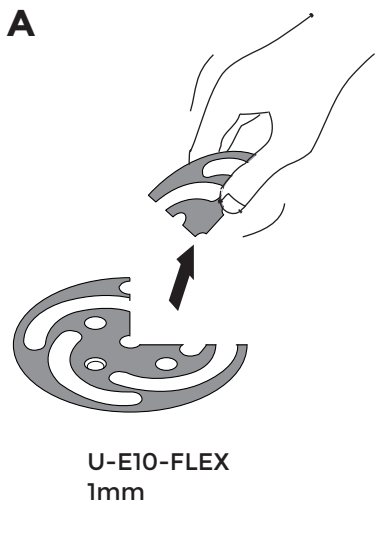
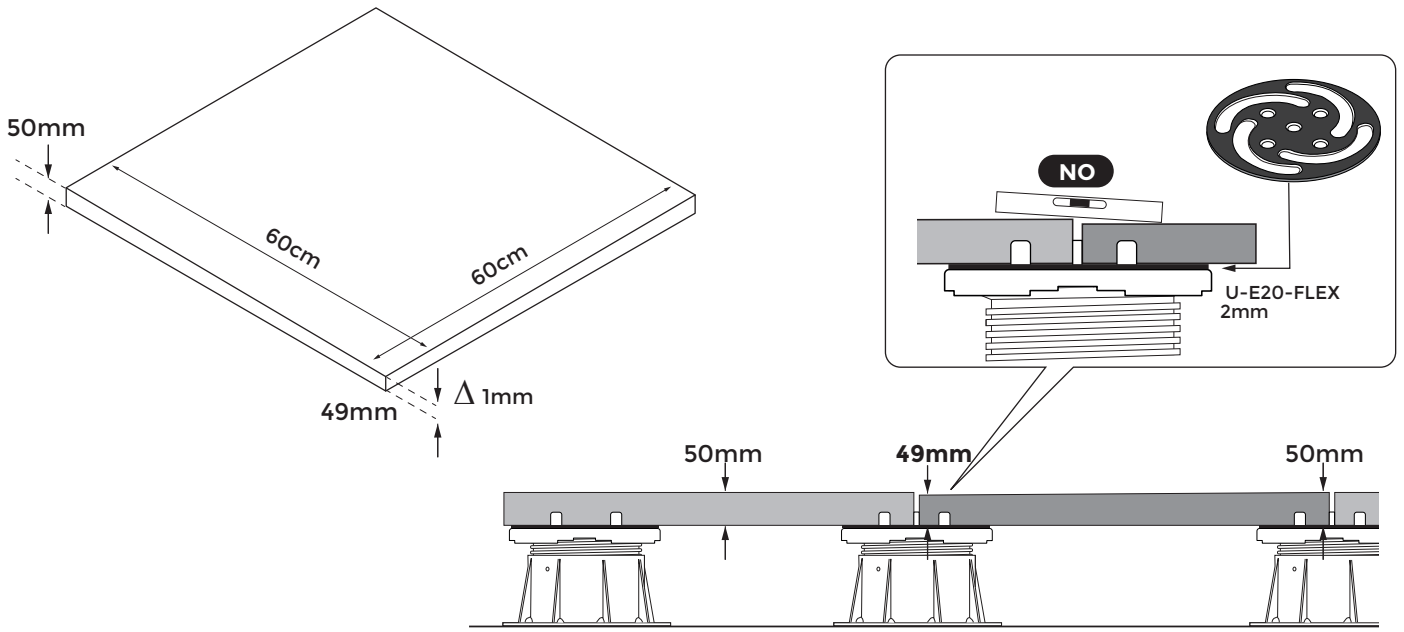
6 For proper installation of tiles, see: Starting up a slab terrace.

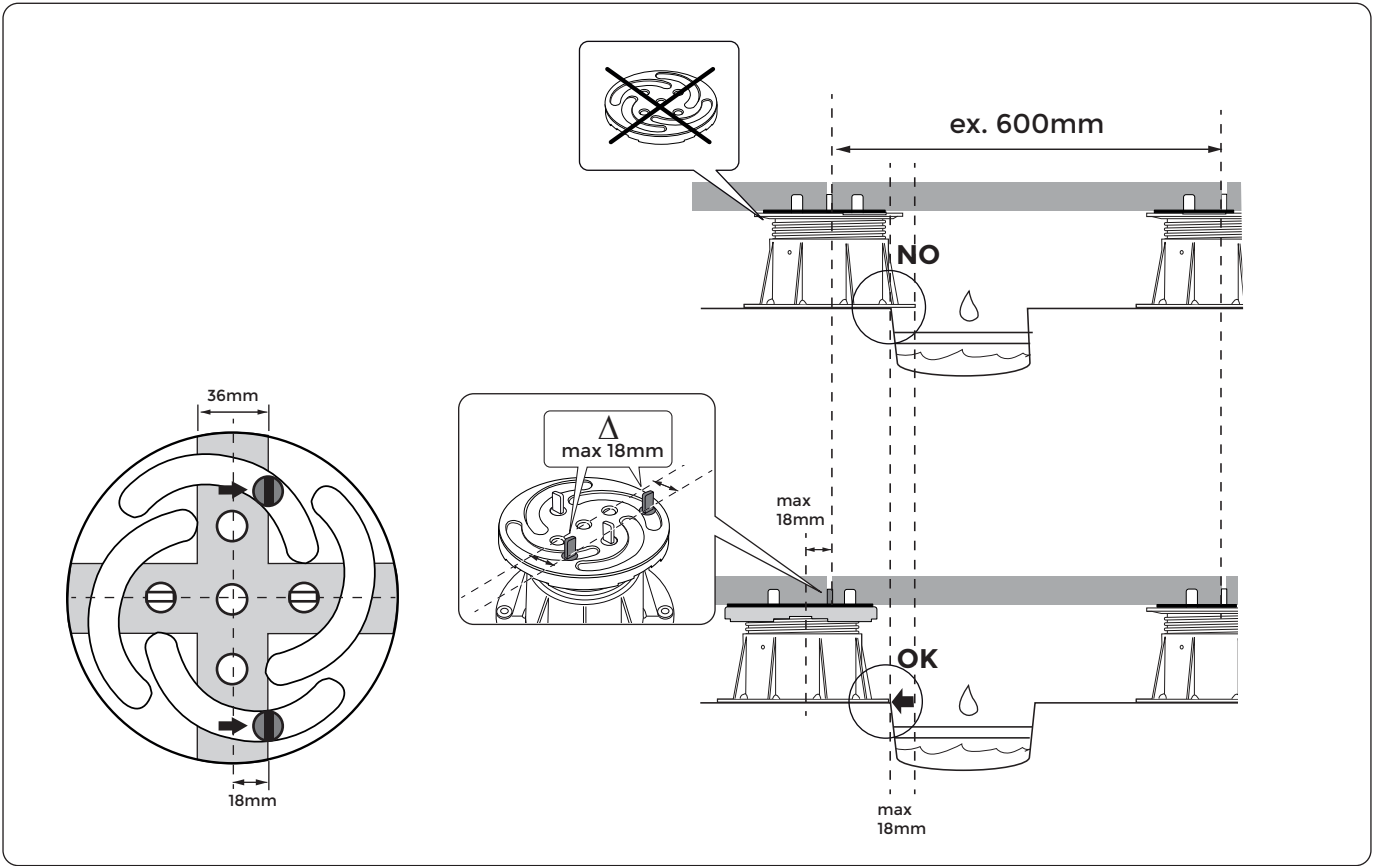


7







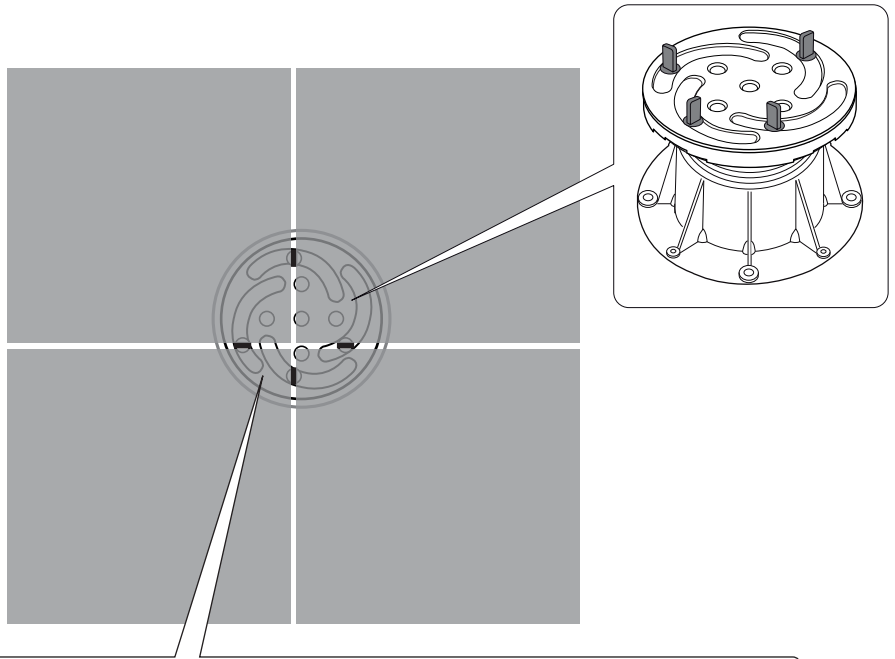
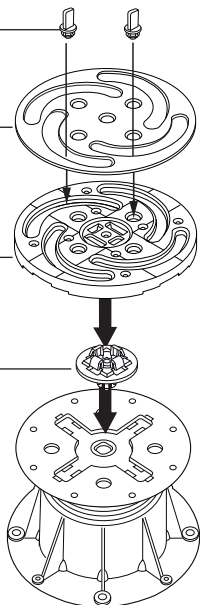


U-TABS

U-E10-FLEX

U-TOP-FLEX

PB-KIT-8

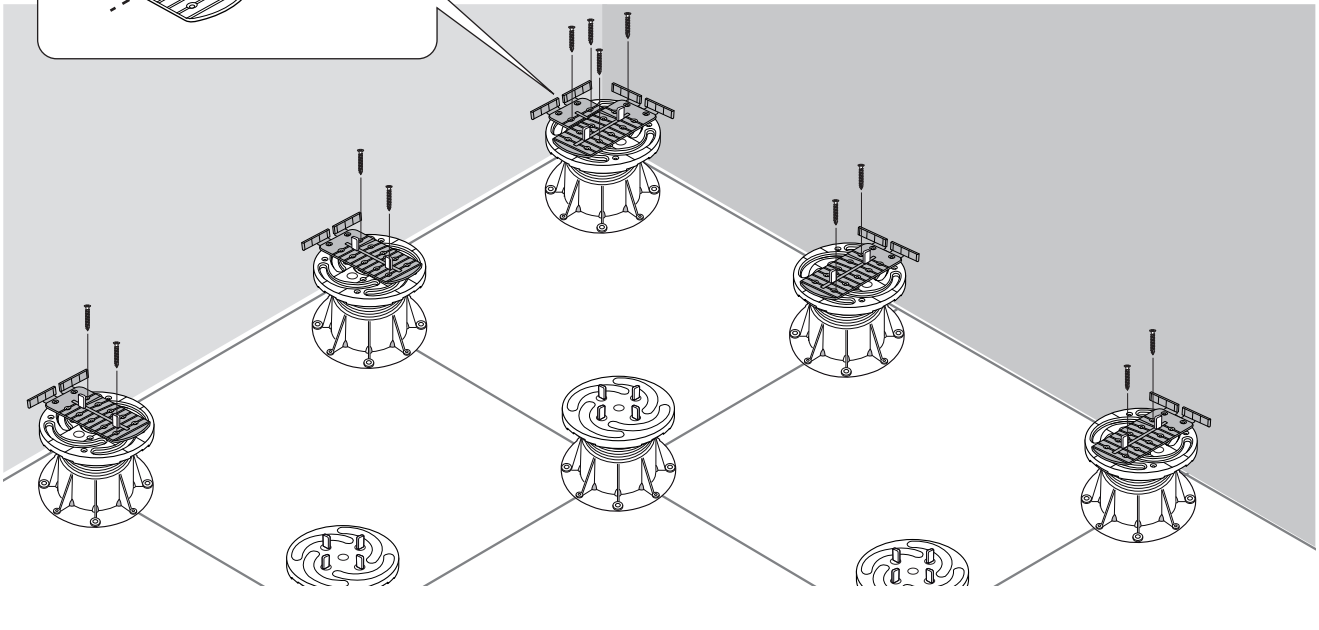
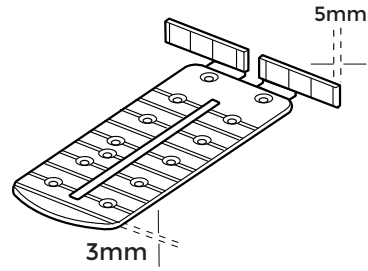
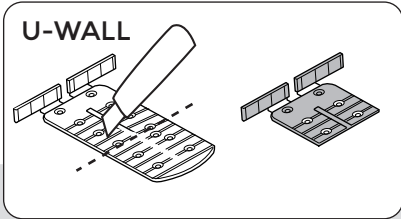


The minimum surface area of **U-TOP-FLEX** supporting the tile must be calculated for each type of application according to the **strength, thickness and quality of the tile.**

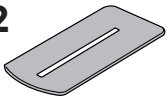
Buzon cannot be held responsible in case of breakage of the tile.

OPTION: U-WALL

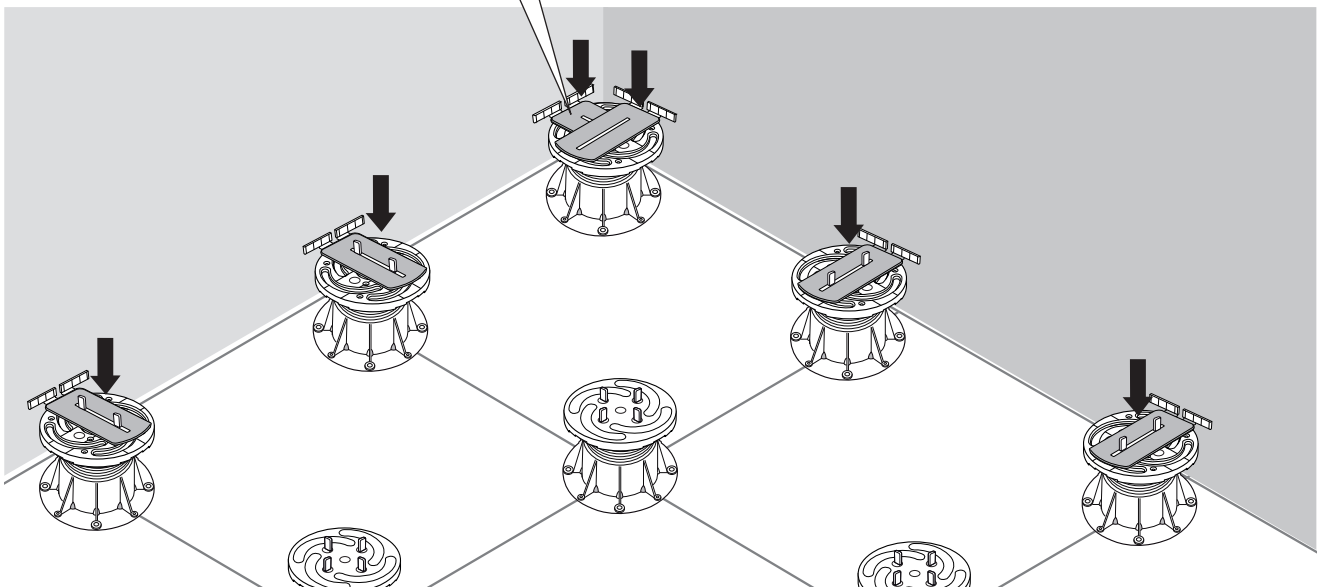
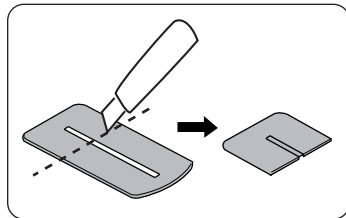
1



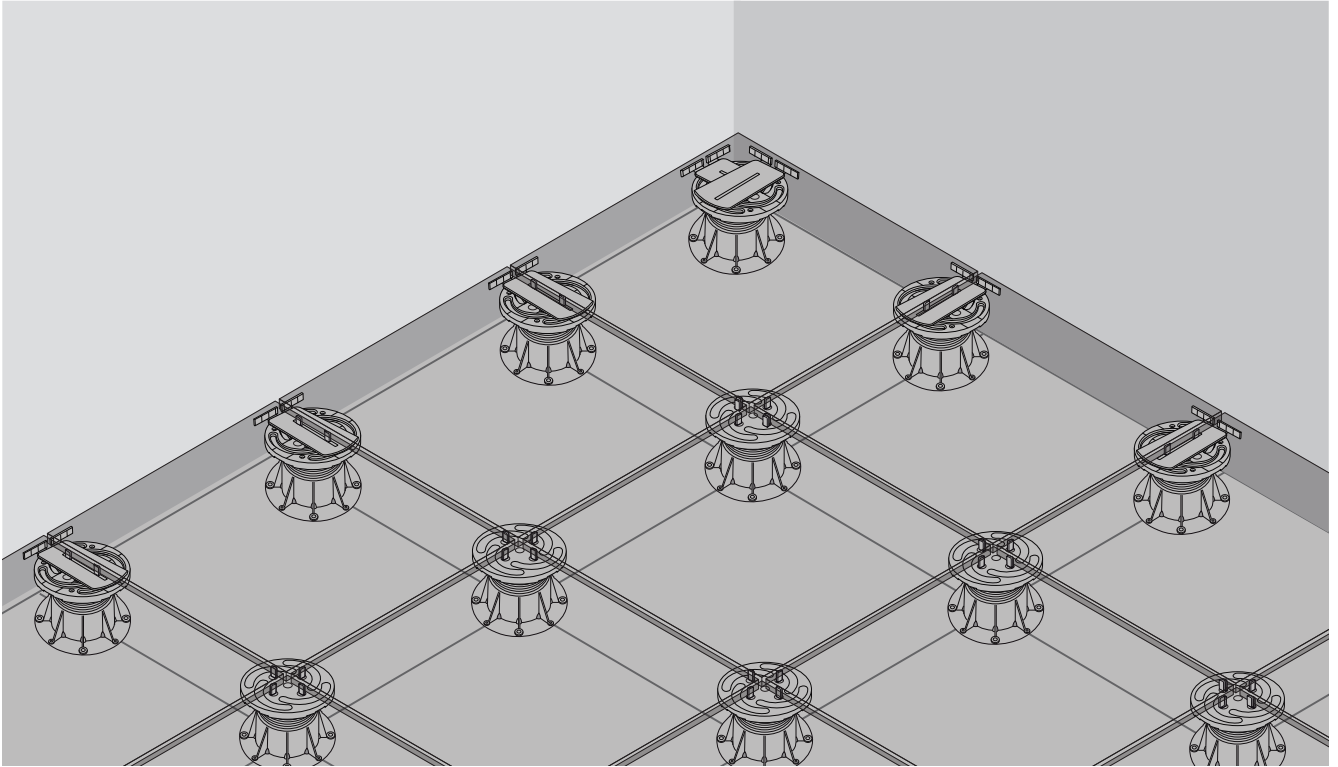
2



U-E20-WALL (2mm)

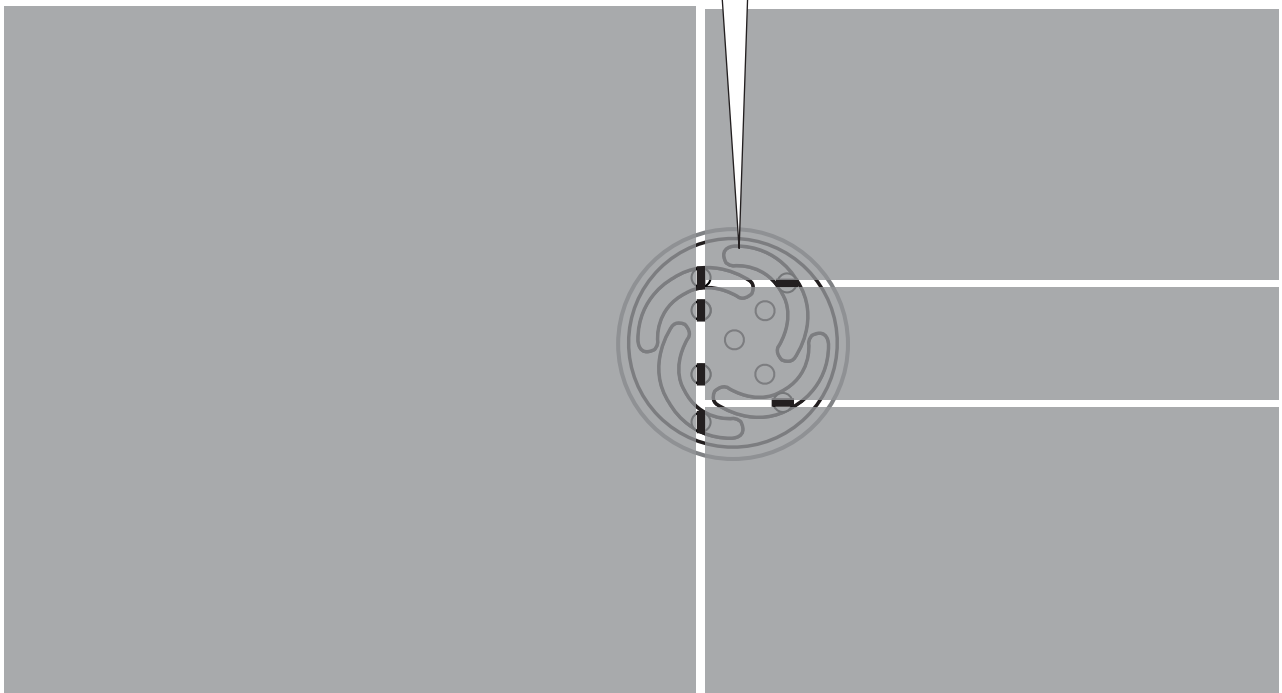


3



The minimum surface area of **U-TOP-FLEX** supporting the tile must be calculated for each type of application according to the **strength, thickness and quality of the tile.**

Buzon cannot be held responsible in case of breakage of the tile.





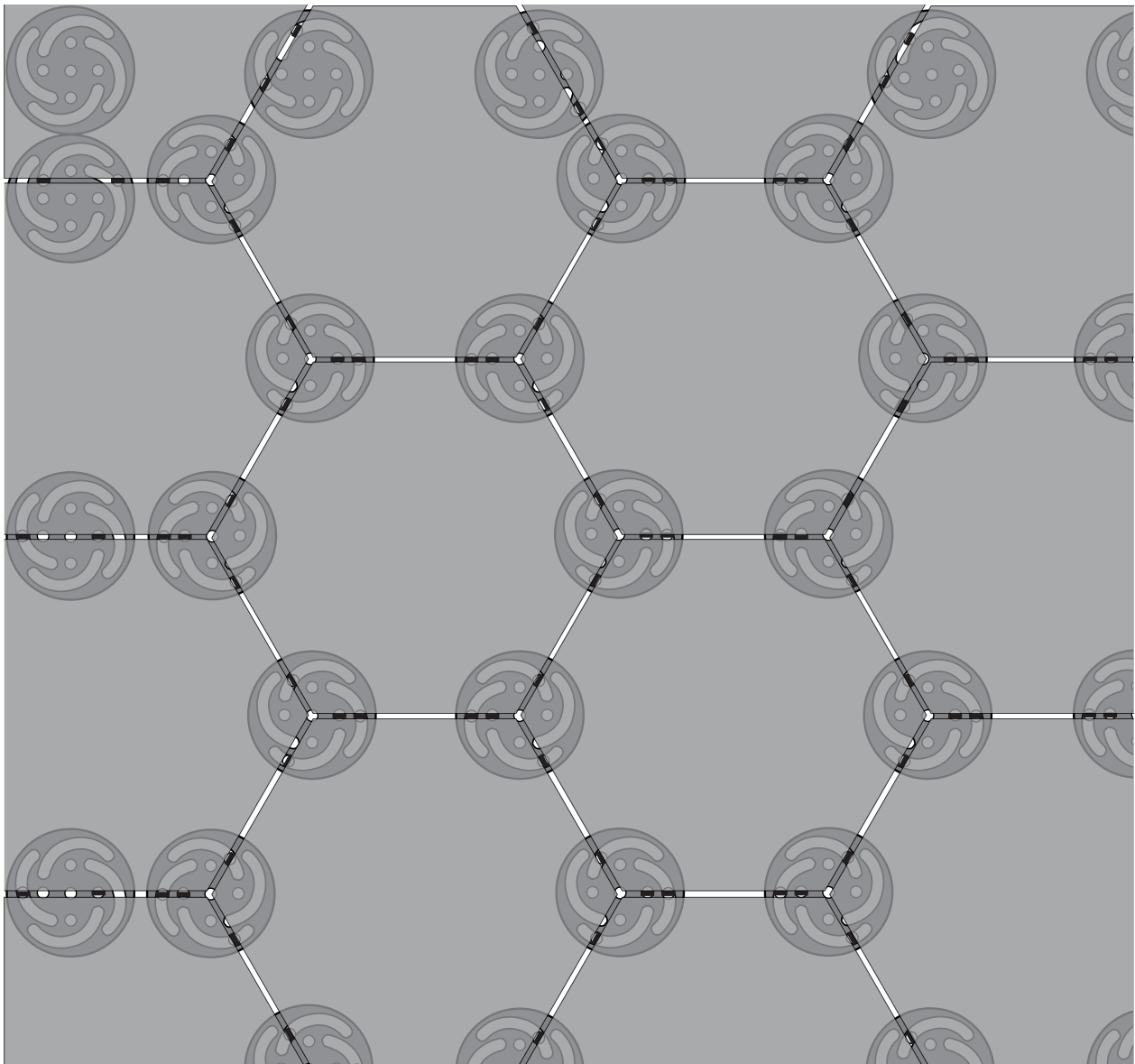
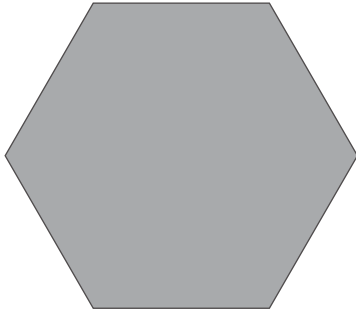
U-TOP-FLEX

PB-Series

p.10

©copyright, 2020 BUZON PEDESTAL INTERNATIONAL

 The minimum surface area of U-TOP-FLEX supporting the tile must be calculated for each type of application according to the strength, thickness and quality of the tile. Buzon cannot be held responsible in case of breakage of the tile.



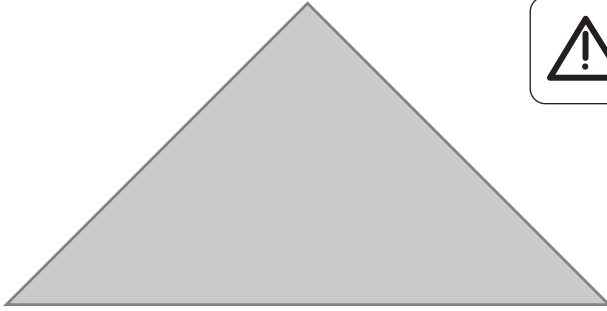



U-TOP-FLEX

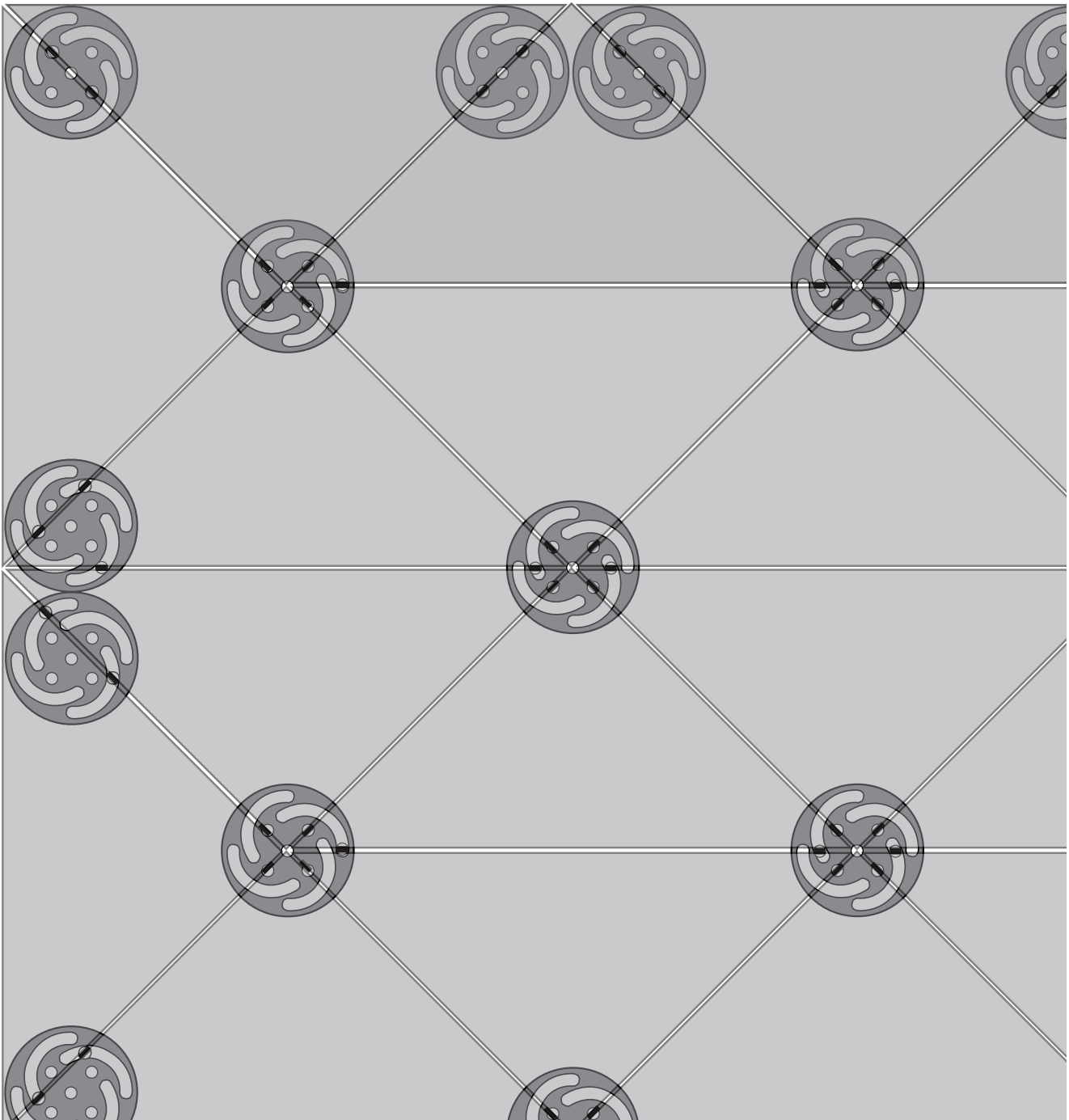
PB-Series

p.11

©copyright, 2020 BUZON PEDESTAL INTERNATIONAL

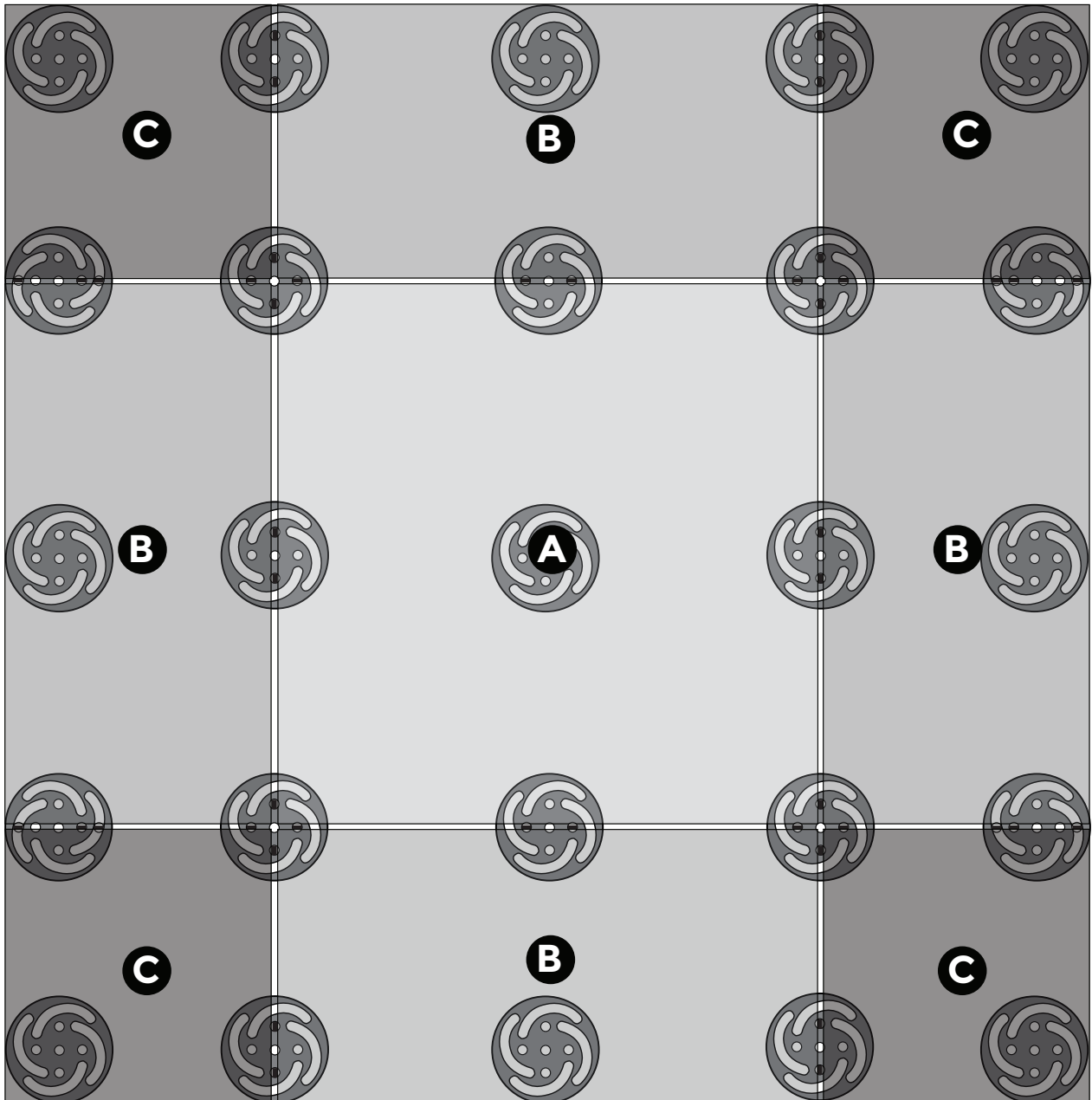
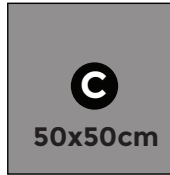
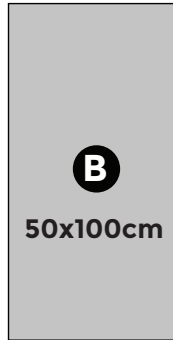
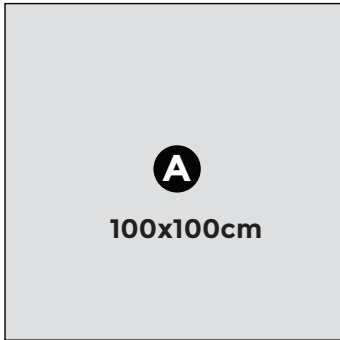


 The minimum surface area of U-TOP-FLEX supporting the tile must be calculated for each type of application according to the strength, thickness and quality of the tile. Buzon cannot be held responsible in case of breakage of the tile.

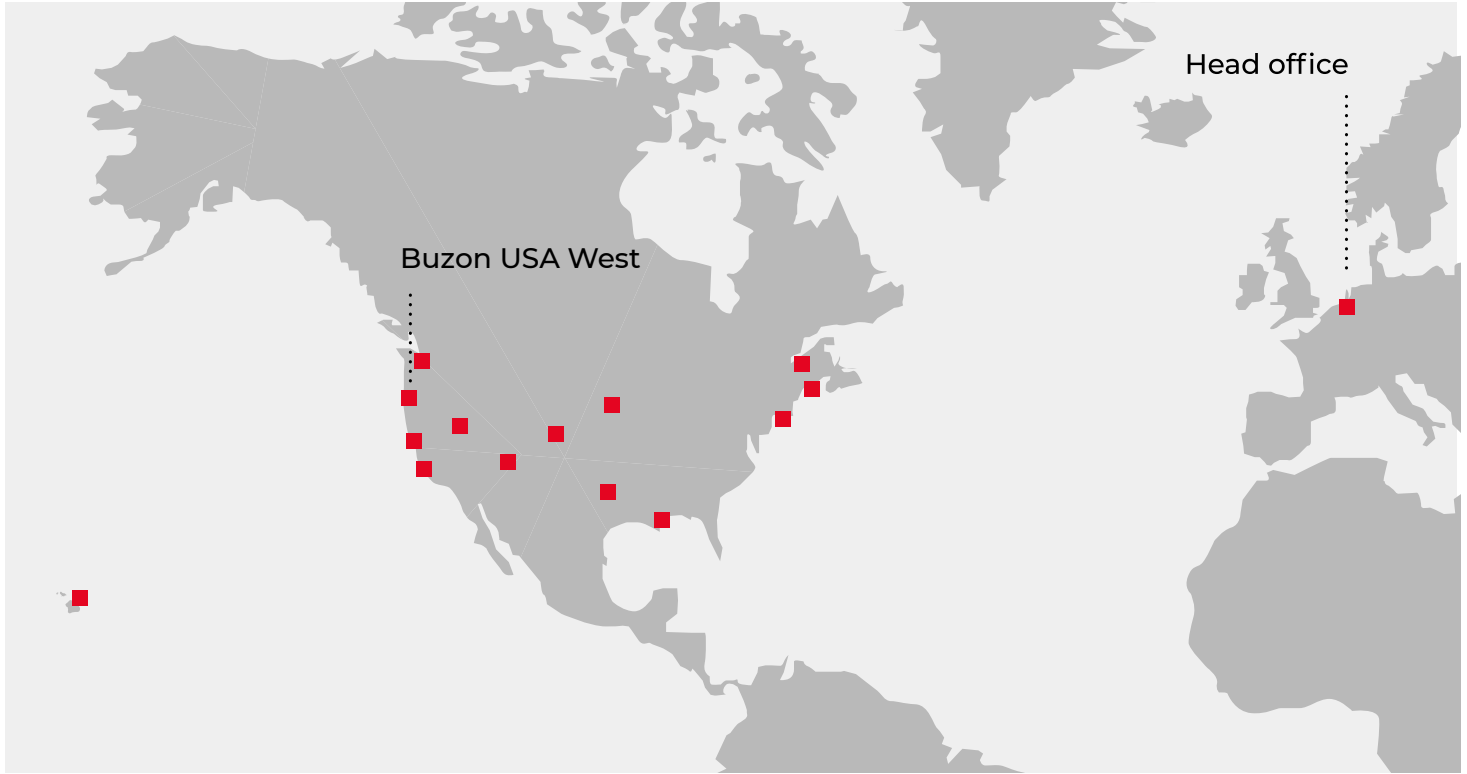




The minimum surface area of U-TOP-FLEX supporting the tile must be calculated for each type of application according to the strength, thickness and quality of the tile. Buzon cannot be held responsible in case of breakage of the tile.



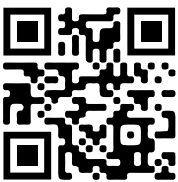
Buzon USA West Projects



References

- Sun's Practice Facility - Phoenix, AZ
- Sony Studio HQ - Los Angeles, CA
- Apple Campus - Palo Alto, CA
- Samsung HQ - Palo Alto, CA
- Lucille Packard Children's Hospital - Stanford, CA
- Haas School of Business - UC Berkeley, CA
- IMAX Theater - Nassau, NY
- Four Seasons Hotel - Honolulu, HI
- Canal Street Rooftop Pool - New Orleans, LA

- Smith Center Harvard University - Cambridge, MA
- Microsoft Campus - Redmond, WA
- The Dean - Palo Alto, CA
- Nike Campus HQ - Beaverton, OR
- Hoakalei CC - Ewa Beach, HI
- Hilton Grand Islander - Honolulu, HI
- Four Seasons Resort at Ko Olina - Kapolei, HI
- One World Trade Center - New York City, NY
- Wynn Resort & Casino Hotel - Las Vegas, NV



Buzon®
 Buzon USA West
 sales@buzonusawest.com
 buzonpedestals.com
 (503) 954 - 3336

