



## Technical Data Sheet

### U-E10-FLEX – Damper 1 mm for U-TOP-FLEX

#### COMPONENTS

The **U-E10-FLEX** is composed of 1 piece.

#### CHARACTERISTICS

Diameter:  $\varnothing$  175 mm

Thickness: 1 mm

#### MATERIAL

Material: **SBR**

Hardness Shore A DIN 53505: **60-80 SHA**

Color: **Black**

Density: **1.55 g/cm<sup>3</sup>**

Temperature range: **-30°C to +/- 70 °C**

Tensile Strength DIN 53504: **3 Mpa**

Elongation at break DIN 53504: **250%**

Resistant to weathering, sea salts, algae and a wide range of chemicals.

#### PACKAGING

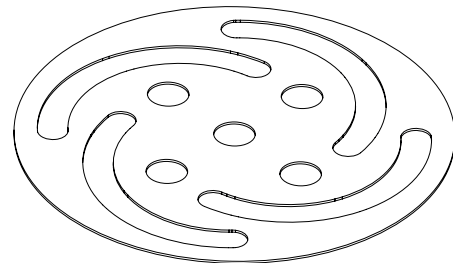
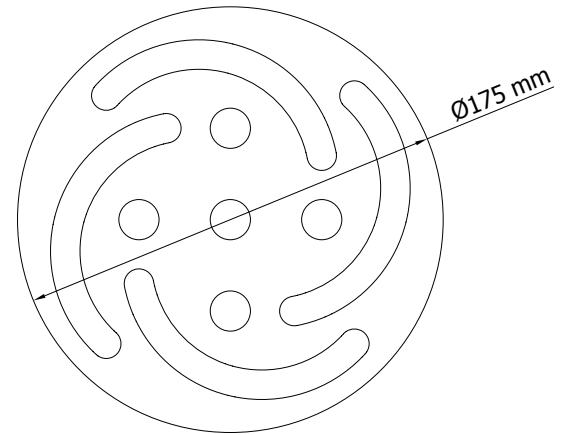
Pieces per carton: **240 pcs**

Carton weight: **7.7 kg**

Cartons per pallet: **48 pcs**

Pieces per pallet: **11520 pcs**

Pallet dimensions: **80 x 120 x 110 cm**



1 mm

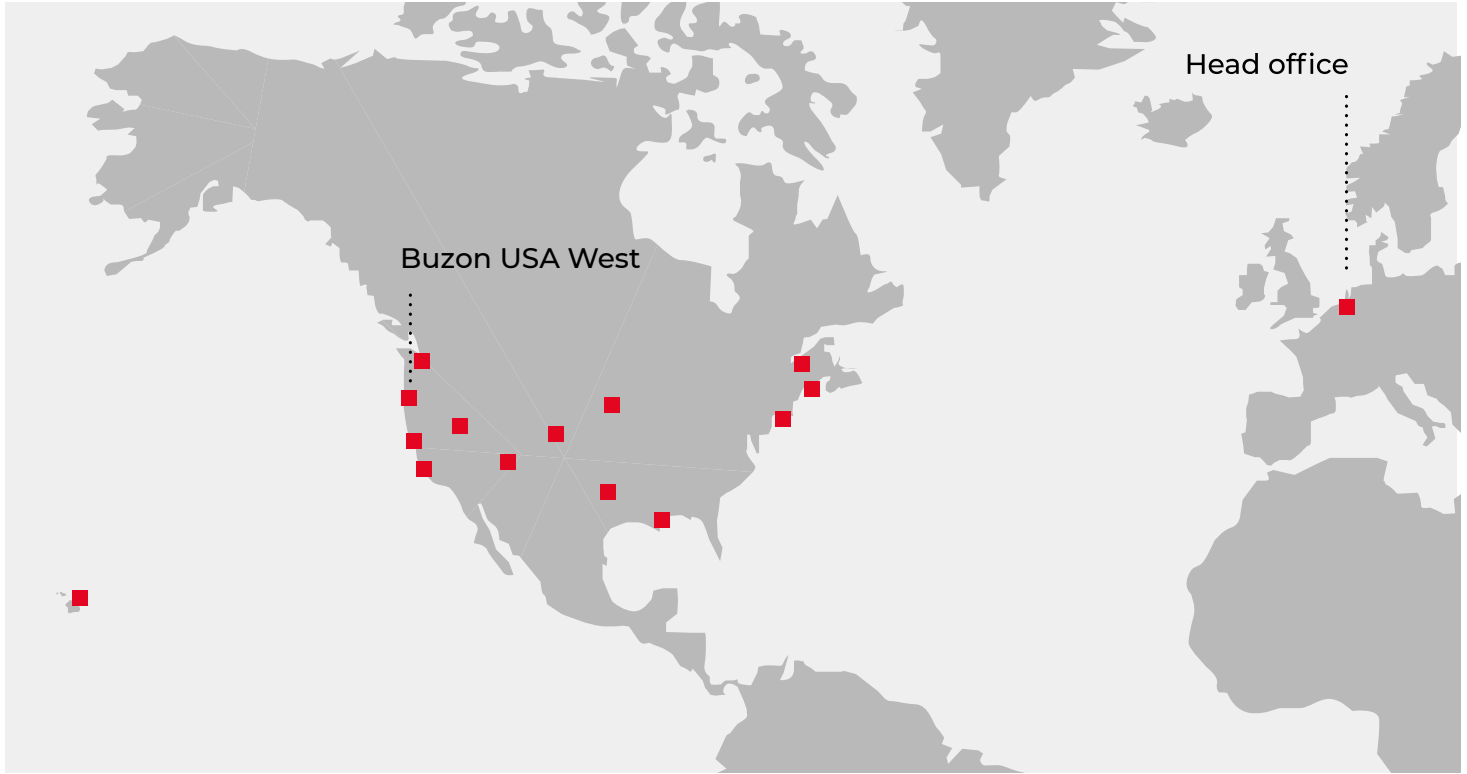
#### APPLICATIONS

The **U-E10-FLEX** is a 1 mm damper. Placed on the **U-TOP-FLEX** support, it stabilises the paver, provides additional acoustic comfort, and compensates for variations in paver thickness.

#### SAFETY INSTRUCTIONS

Buzon pedestals and accessories are designed to support external raised floors for pedestrian traffic only and are not designed to support or be subjected to moving and/or vibrating machinery & equipment, including maintenance, cleaning vehicles, automobiles and other similar equipment.

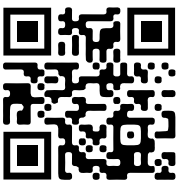
# Buzon USA West Projects



## References

- Sun's Practice Facility - Phoenix, AZ
- Sony Studio HQ - Los Angeles, CA
- Apple Campus - Palo Alto, CA
- Samsung HQ - Palo Alto, CA
- Lucille Packard Children's Hospital - Stanford, CA
- Haas School of Business - UC Berkeley, CA
- IMAX Theater - Nassau, NY
- Four Seasons Hotel - Honolulu, HI
- Canal Street Rooftop Pool - New Orleans, LA

- Smith Center Harvard University - Cambridge, MA
- Microsoft Campus - Redmond, WA
- The Dean - Palo Alto, CA
- Nike Campus HQ - Beaverton, OR
- Hoakalei CC - Ewa Beach, HI
- Hilton Grand Islander - Honolulu, HI
- Four Seasons Resort at Ko Olina - Kapolei, HI
- One World Trade Center - New York City, NY
- Wynn Resort & Casino Hotel - Las Vegas, NV



**Buzon®**  
Buzon USA West  
sales@buzonusawest.com  
buzonpedestals.com  
(503) 954 - 3336

