

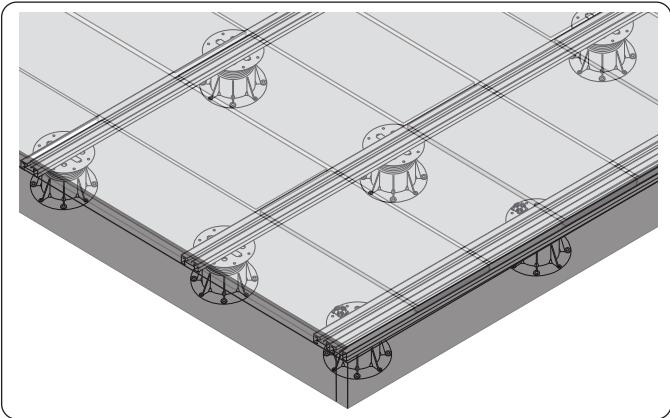
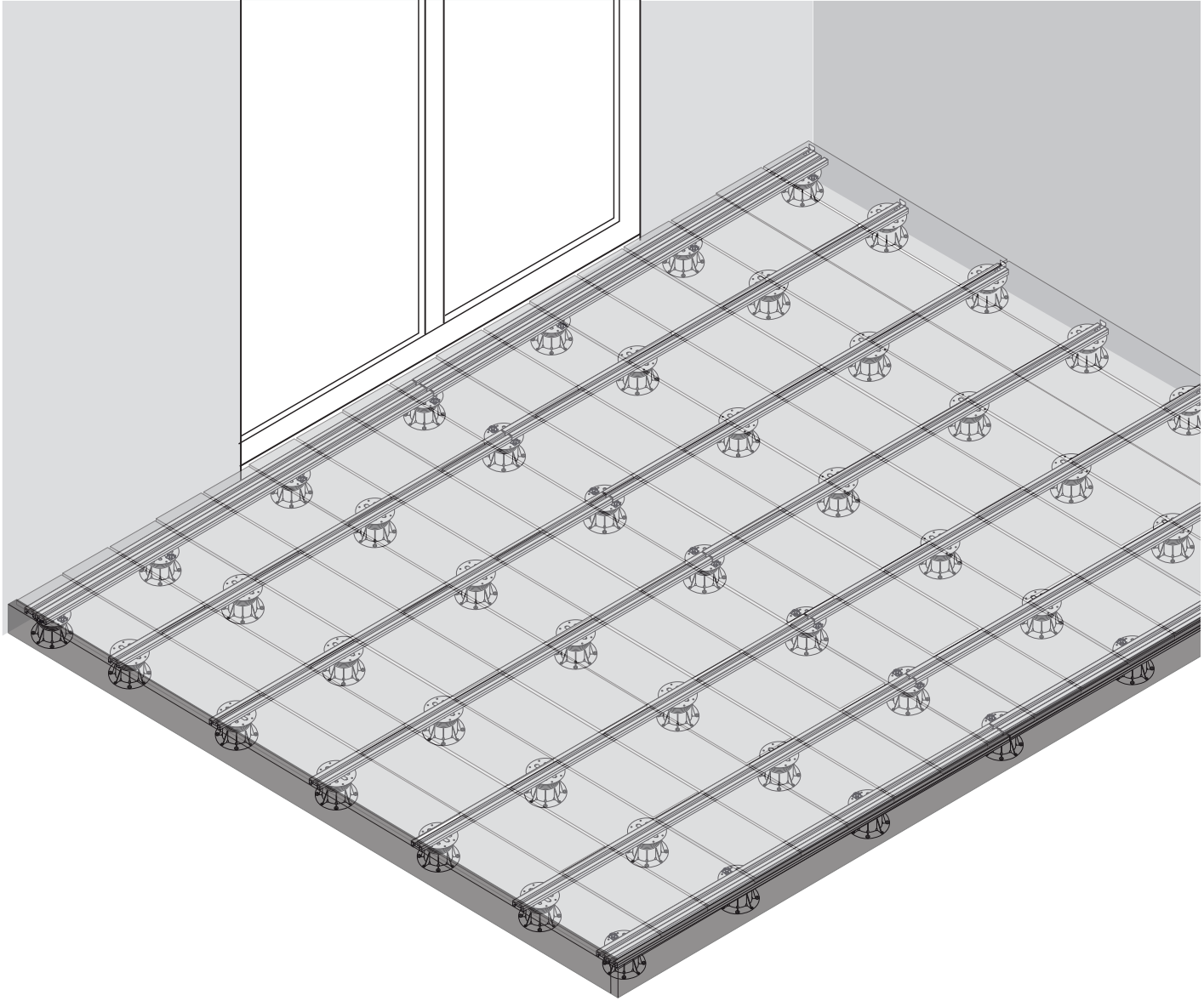


# EASY RAIL SYSTEM

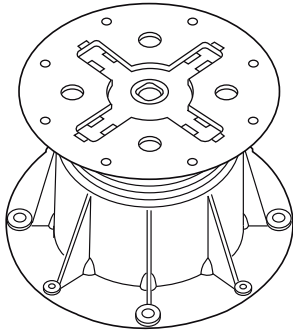
# E-BRS-V4

p.1

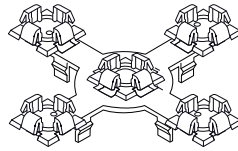
©copyright, 2024, BUZON PEDESTAL INTERNATIONAL



Ref: 62 GNO 71 - Rev.1 - 24/06/2024

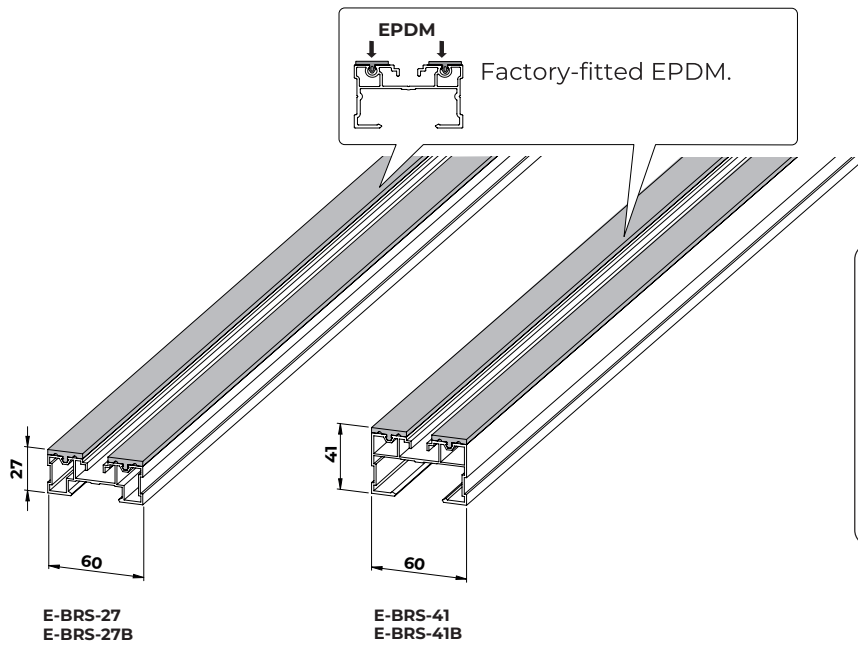


**Plot PB-Series**



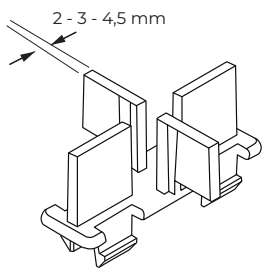
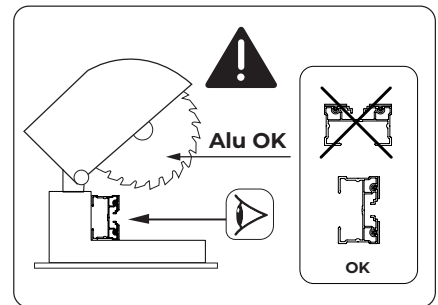
**PB-KIT-2**

**U-BRS-VIS**

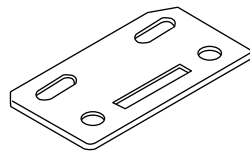


**E-BRS-27  
E-BRS-27B**

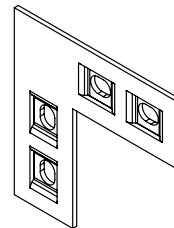
**E-BRS-41  
E-BRS-41B**



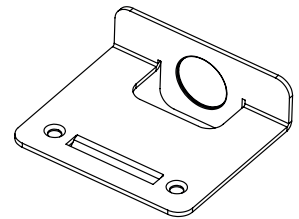
**U-BRS-TABS**



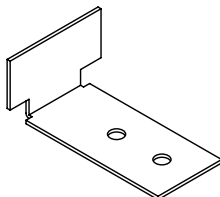
**E-BRS-TOP-LINK**



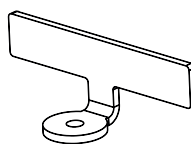
**E-BRS-BRACKET**



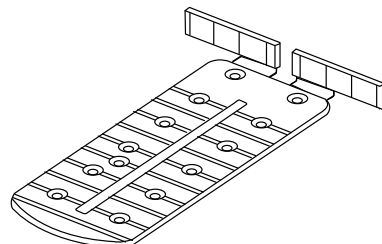
**E-BRS-WALL**



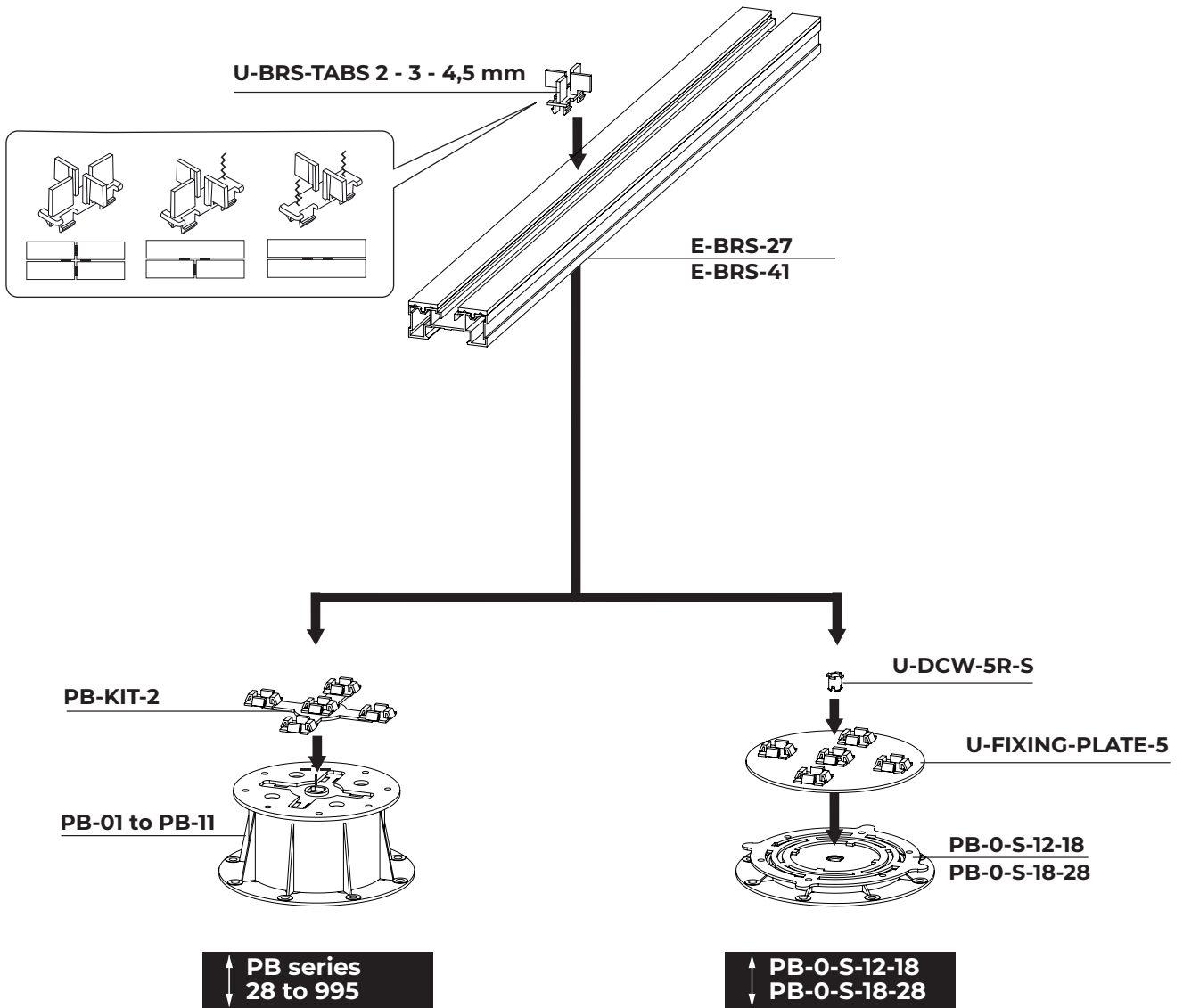
**U-BRS-STOP**



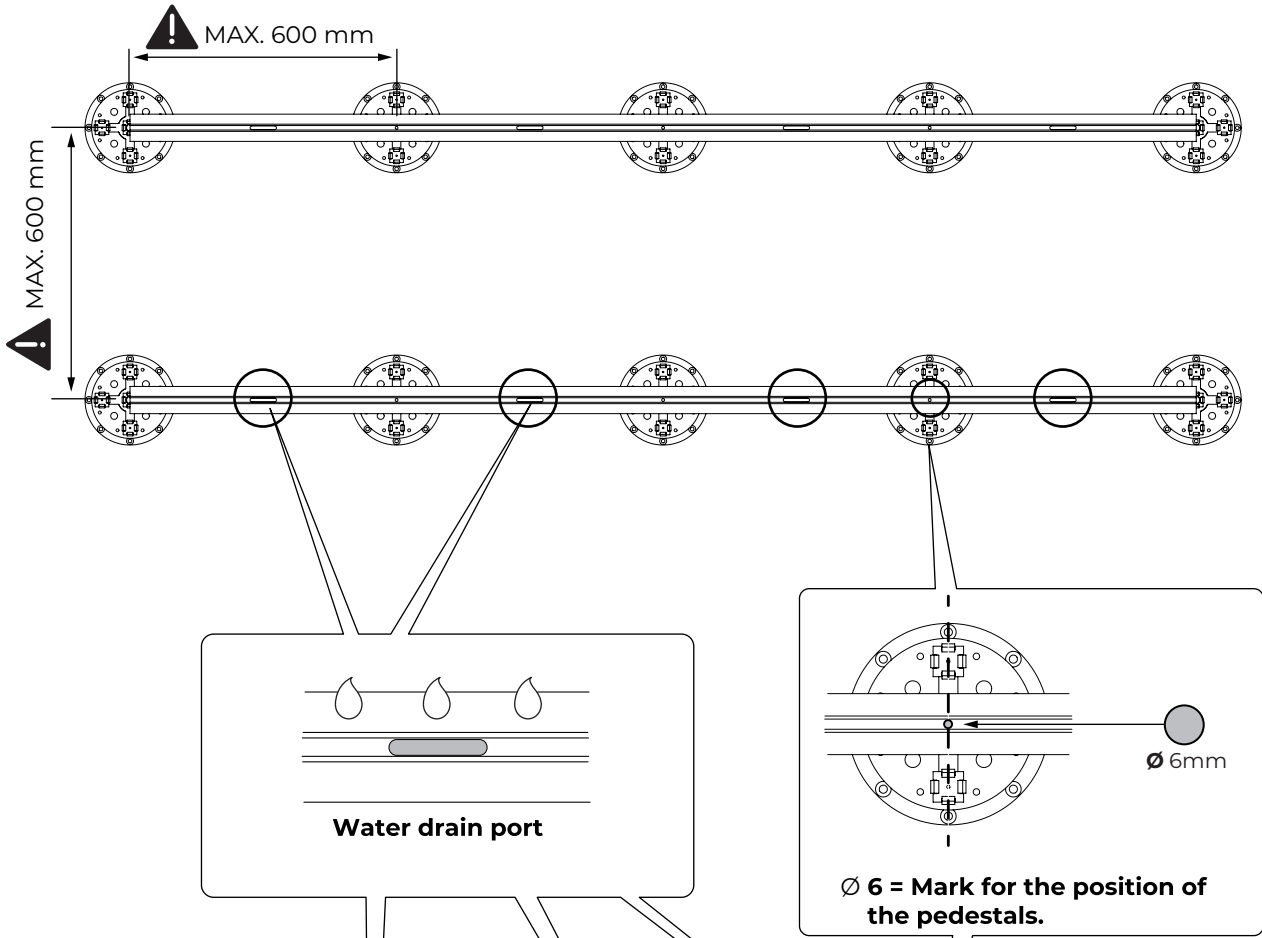
**E-BRS-STOP-ROND**



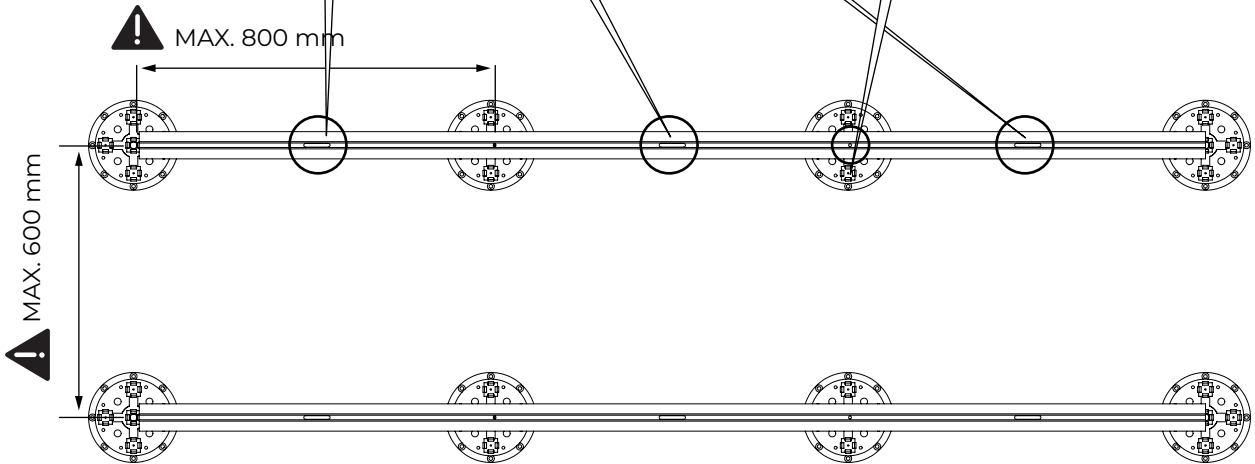
**U-WALL-PP**



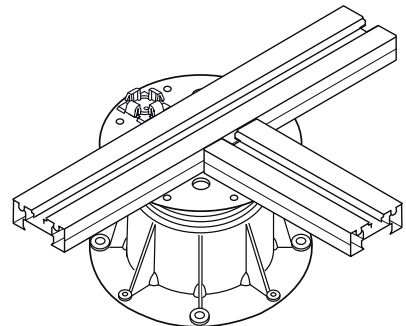
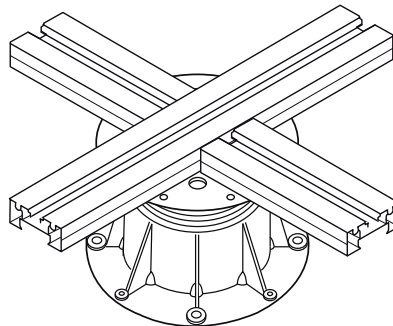
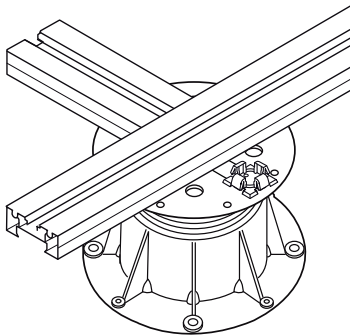
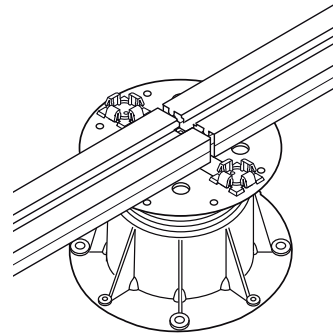
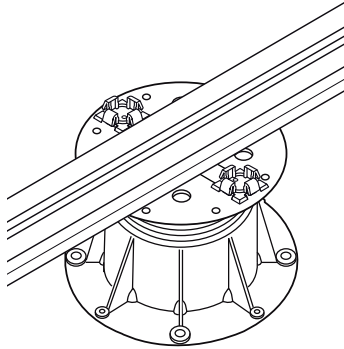
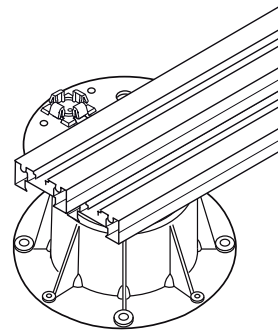
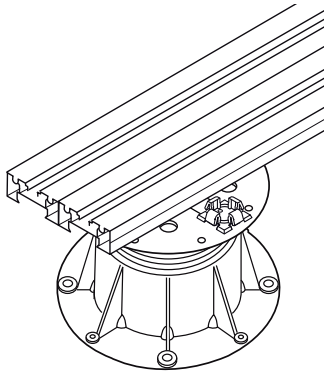
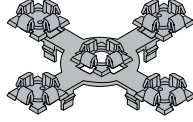
**E-BRS-27**



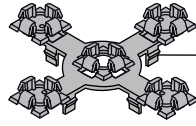
**E-BRS-41**



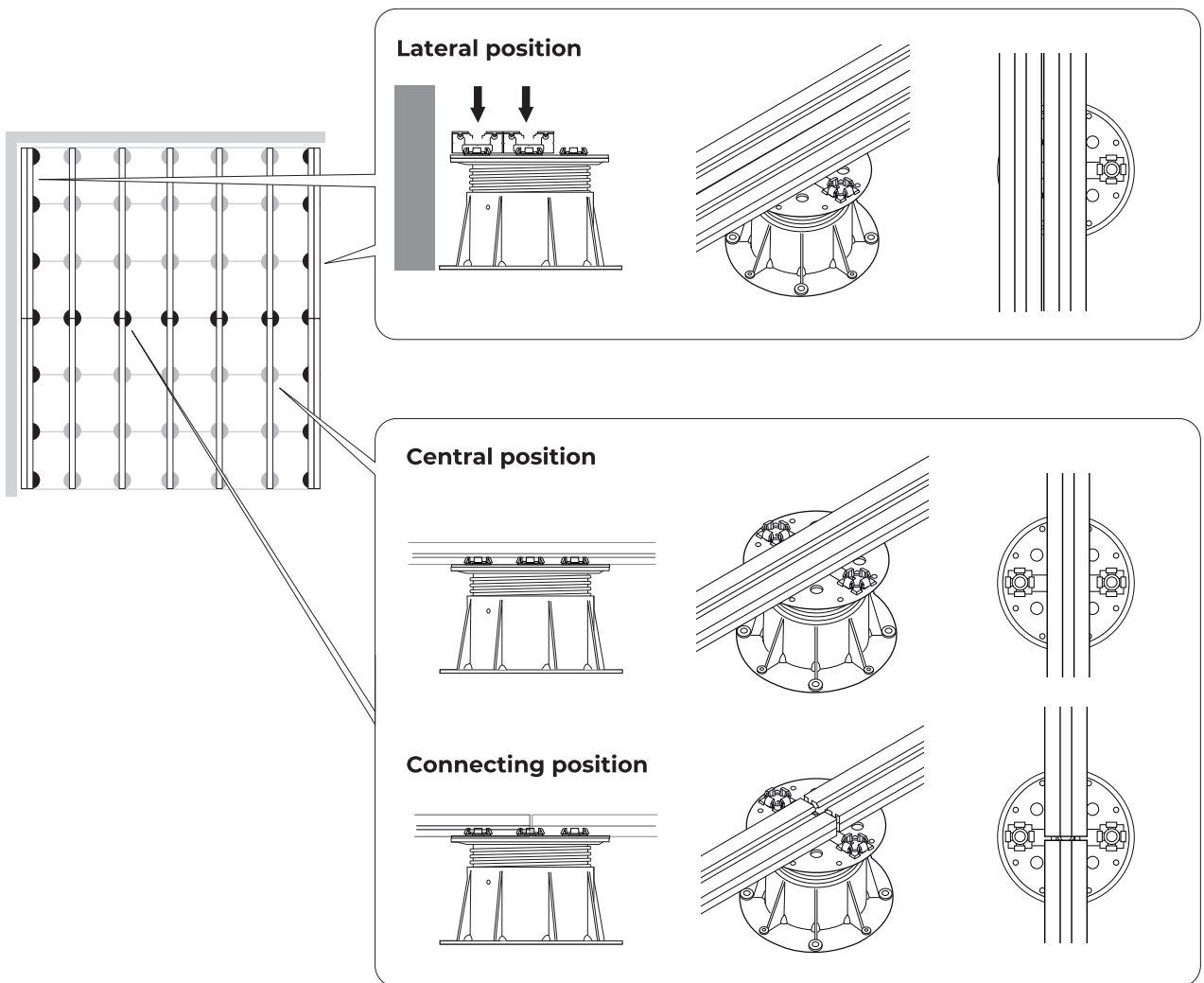
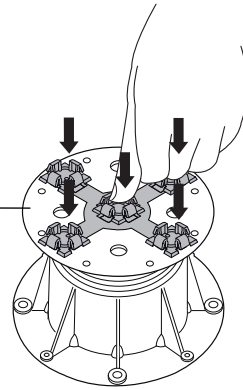
**PB-KIT-2**



1

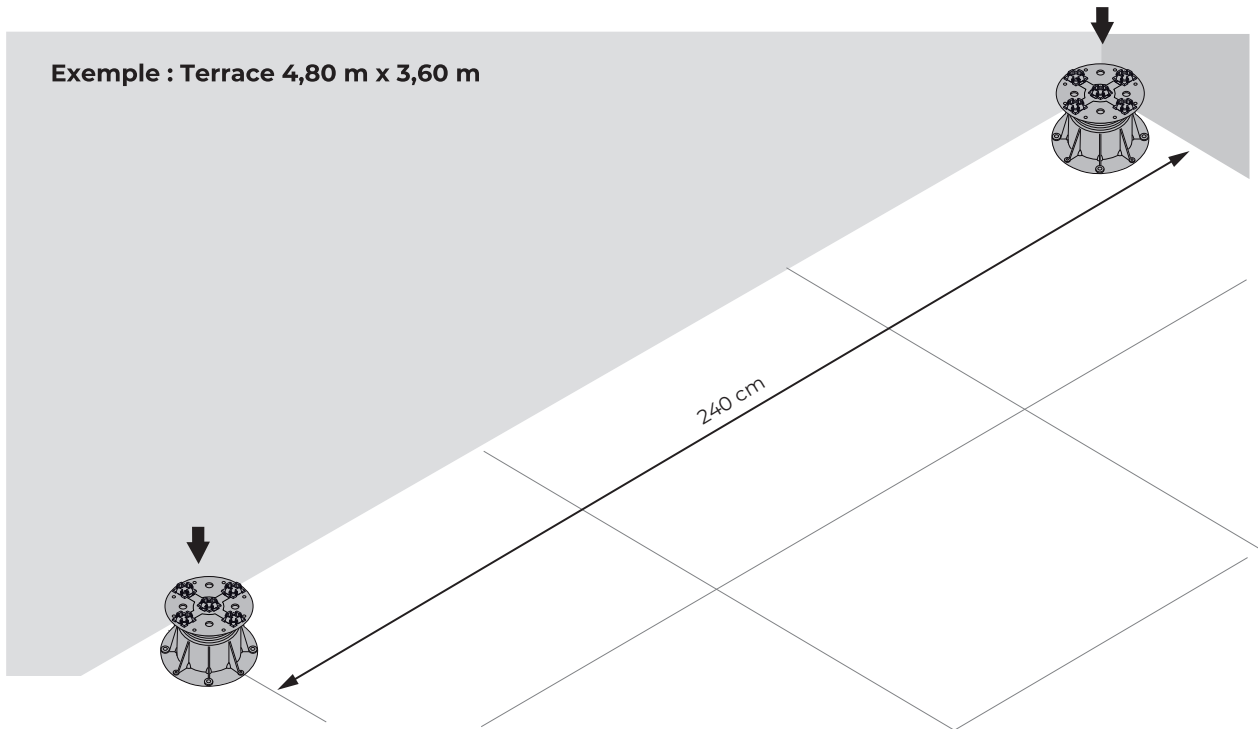


**PB-KIT-2**

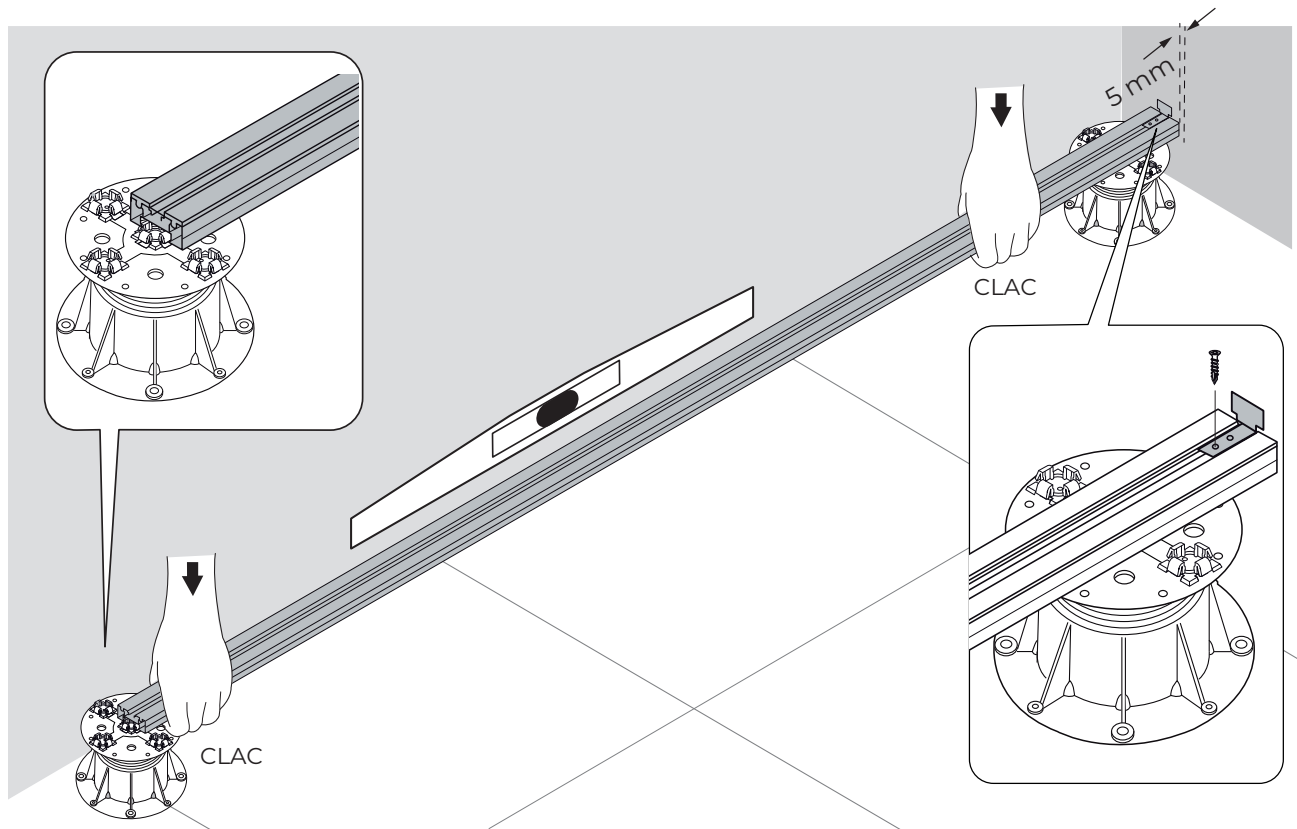


**2**

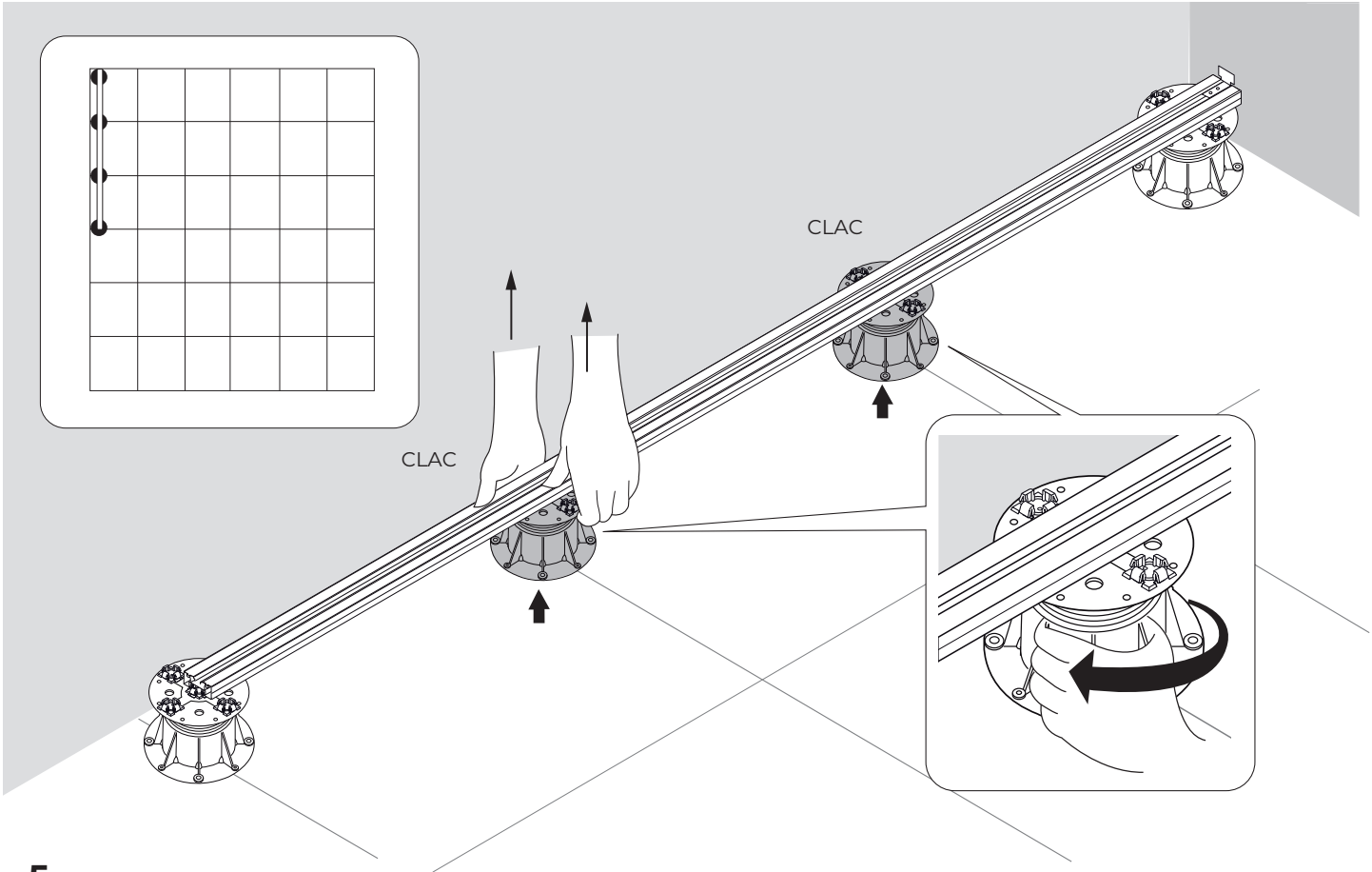
Exemple : Terrasse 4,80 m x 3,60 m



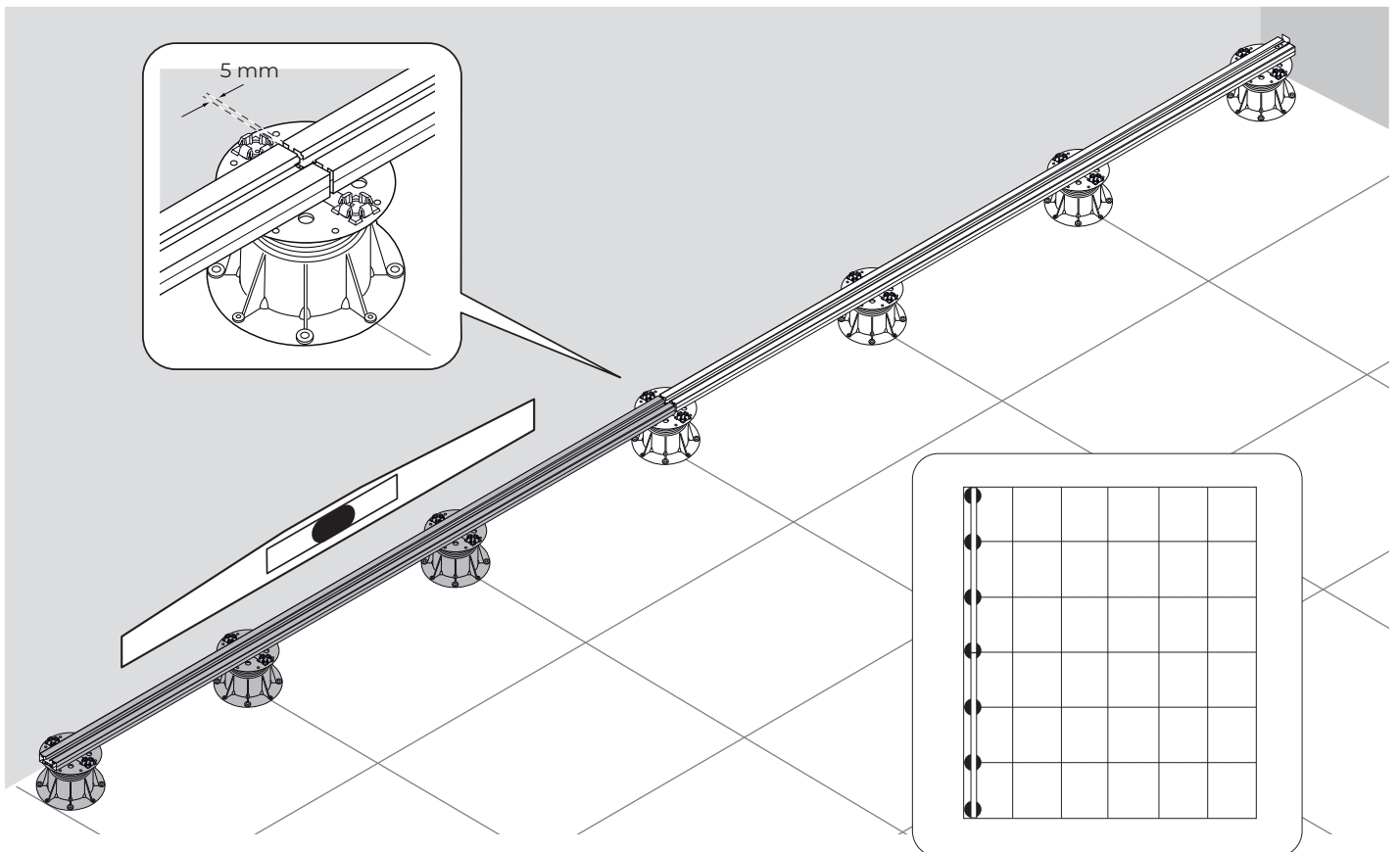
**3**



**4**

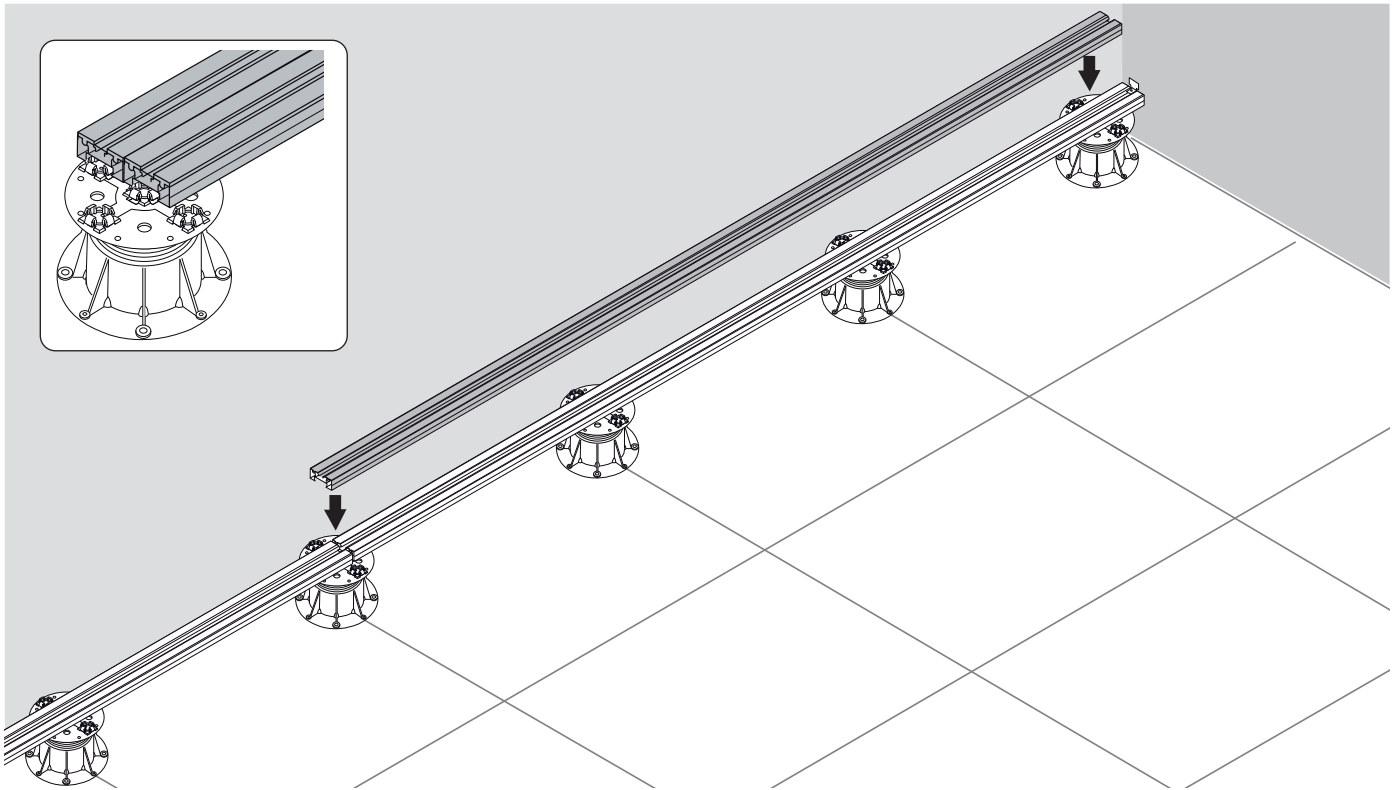


**5**

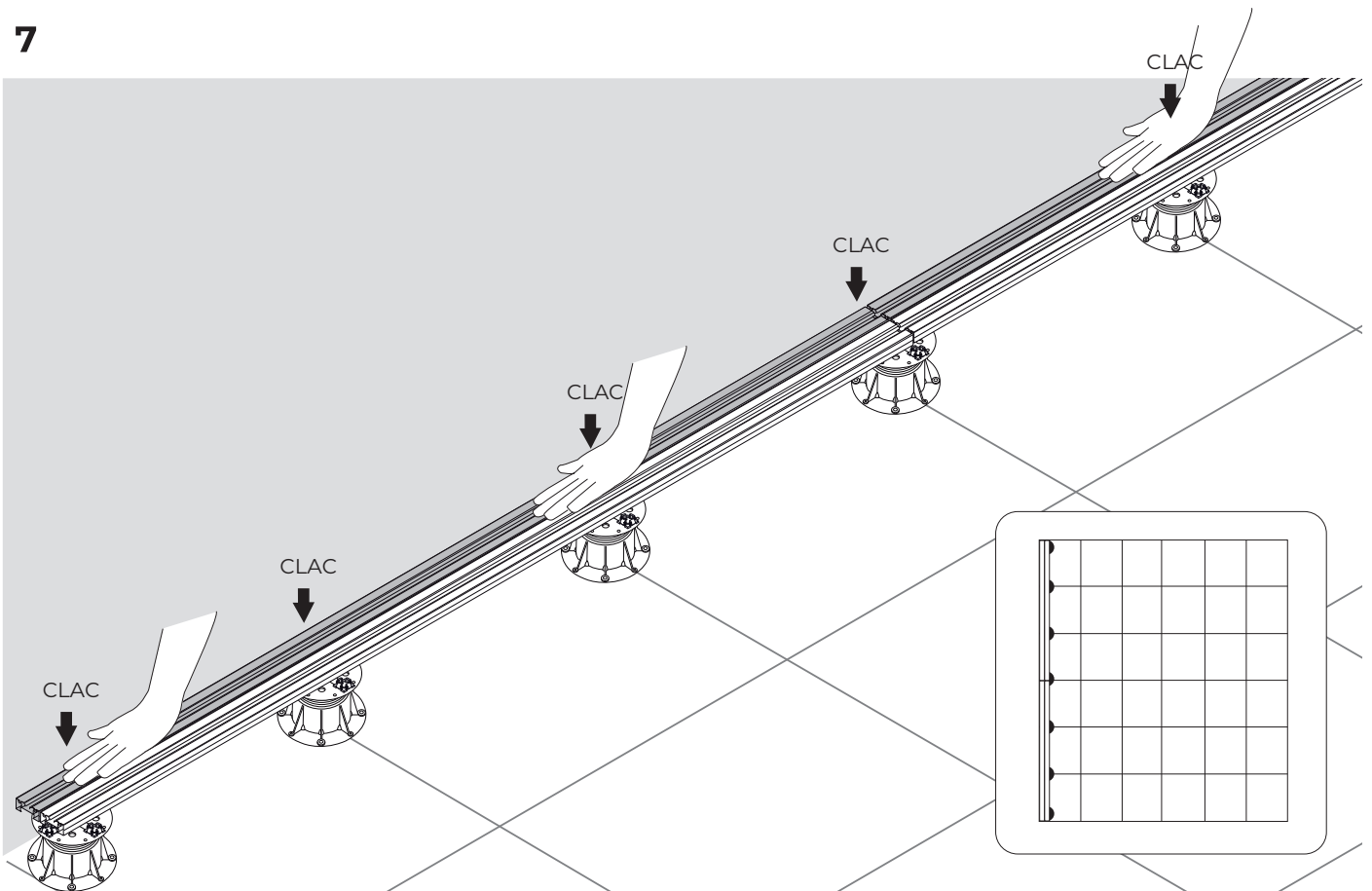




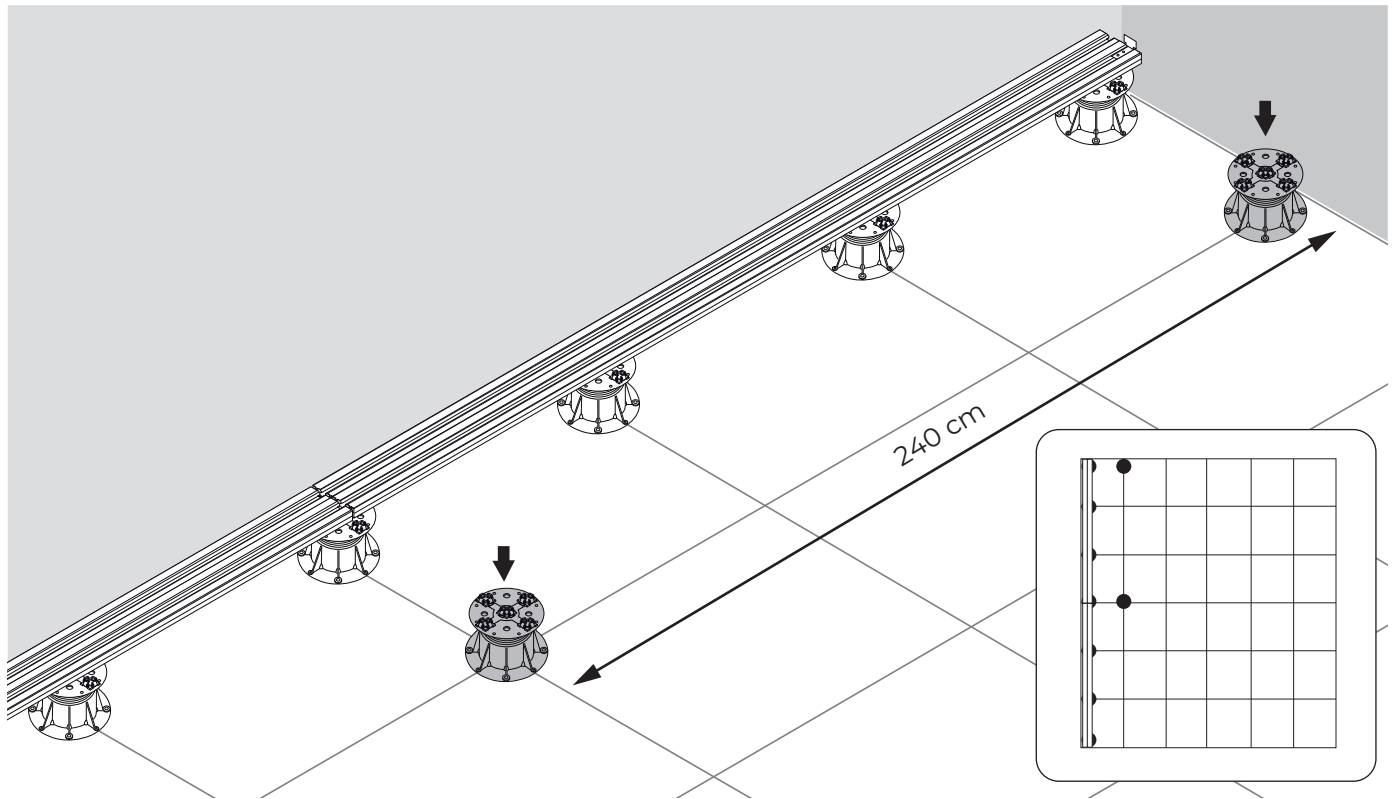
**6 Double rail in lateral position**



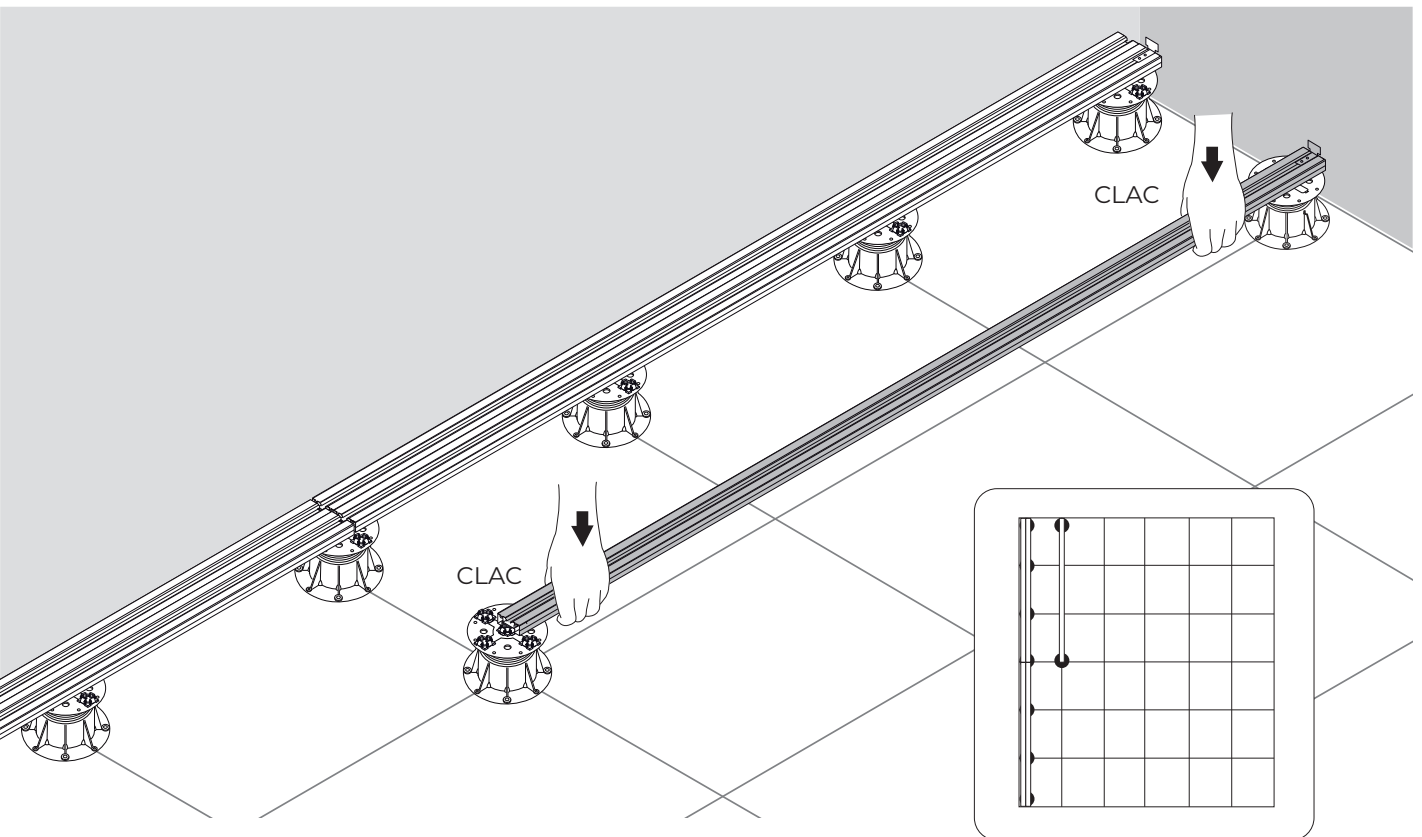
**7**



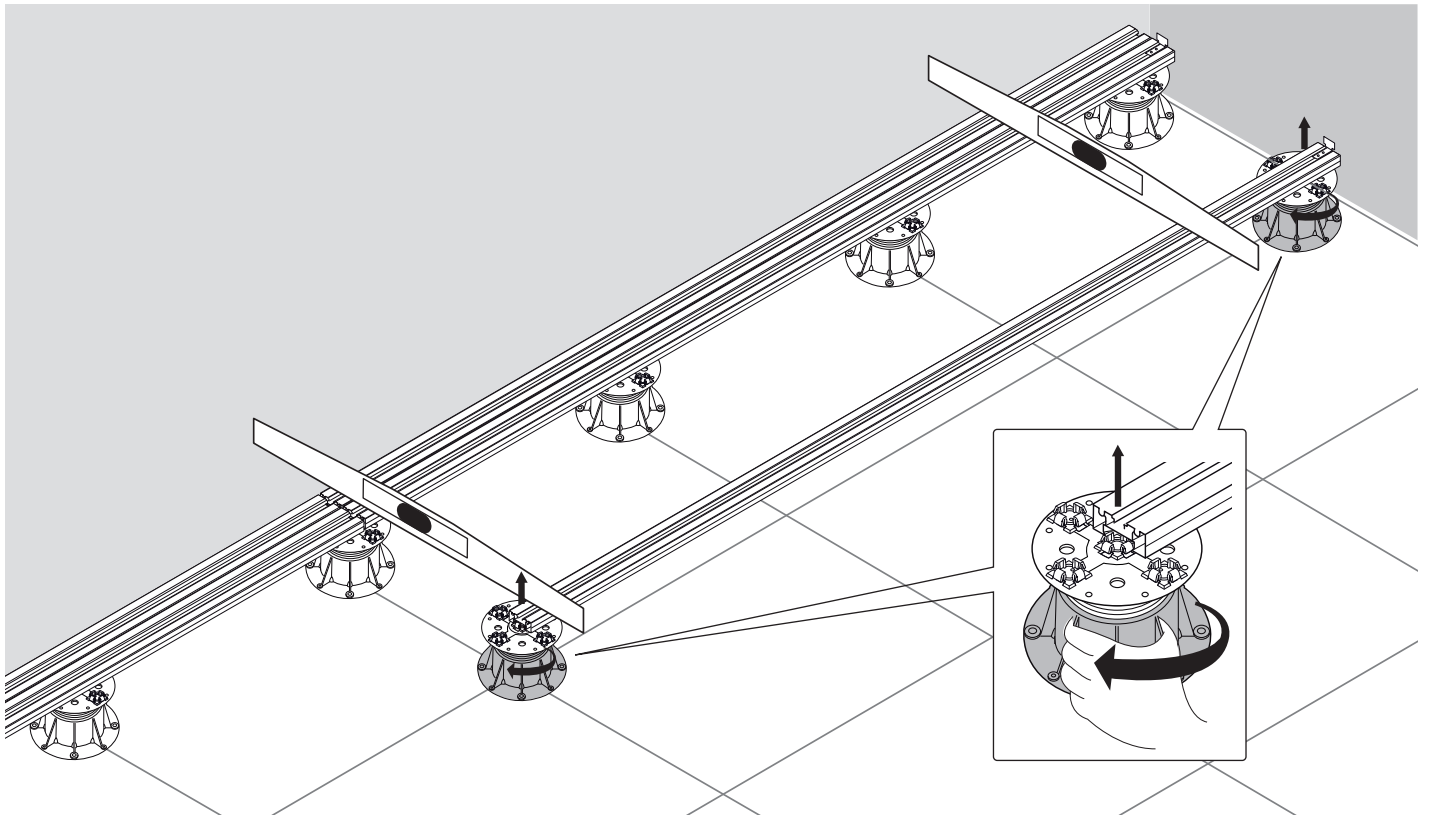
**8**



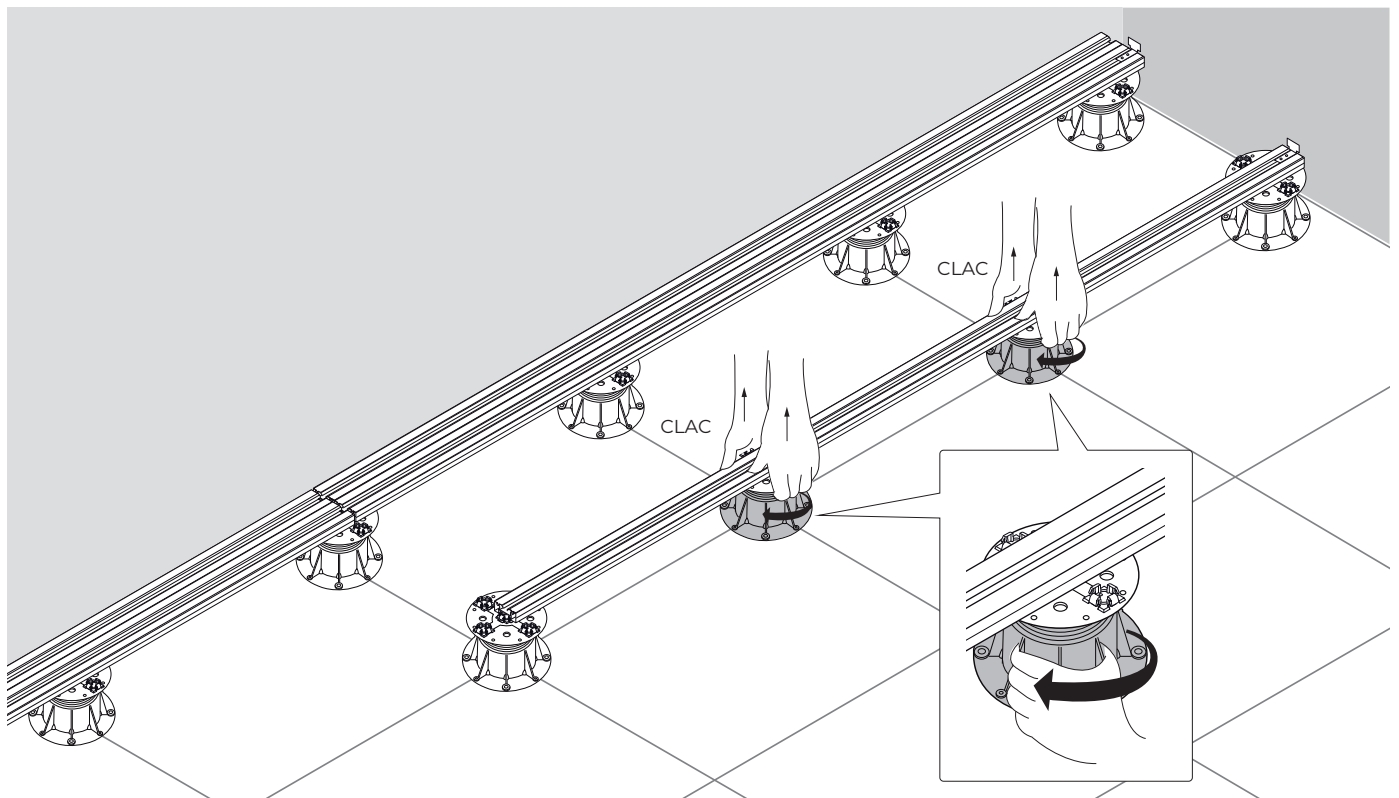
**9**



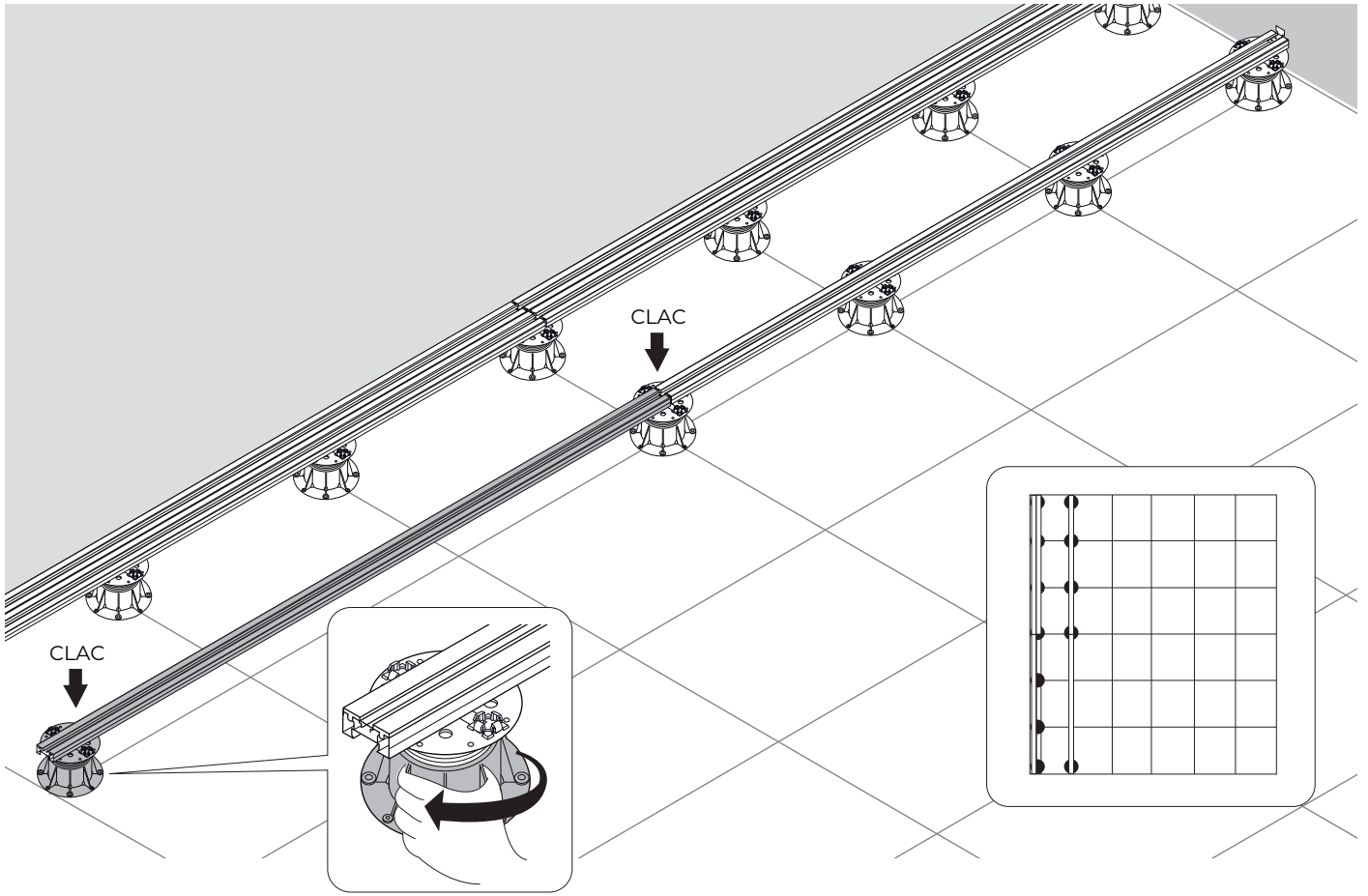
**10**



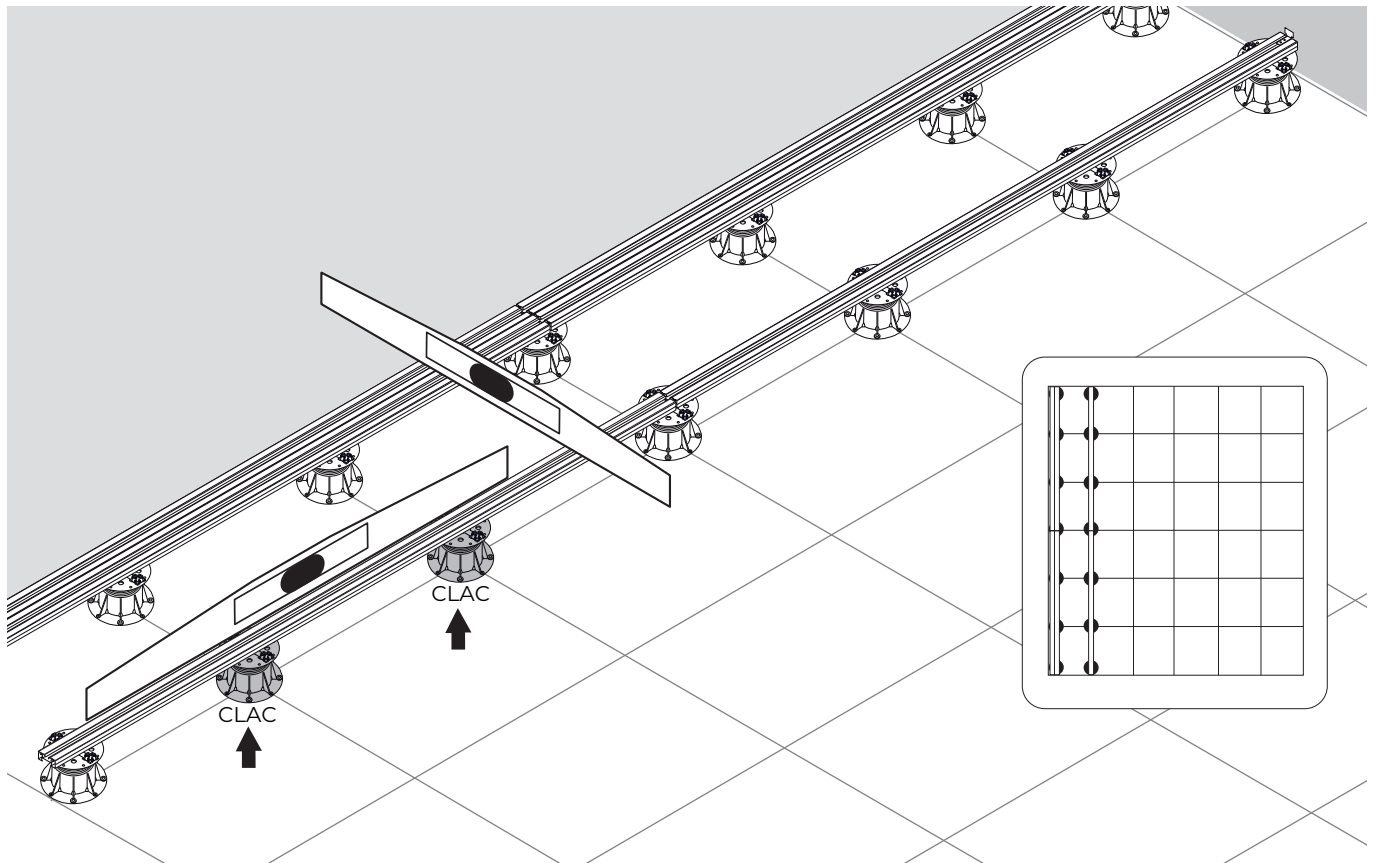
**11**

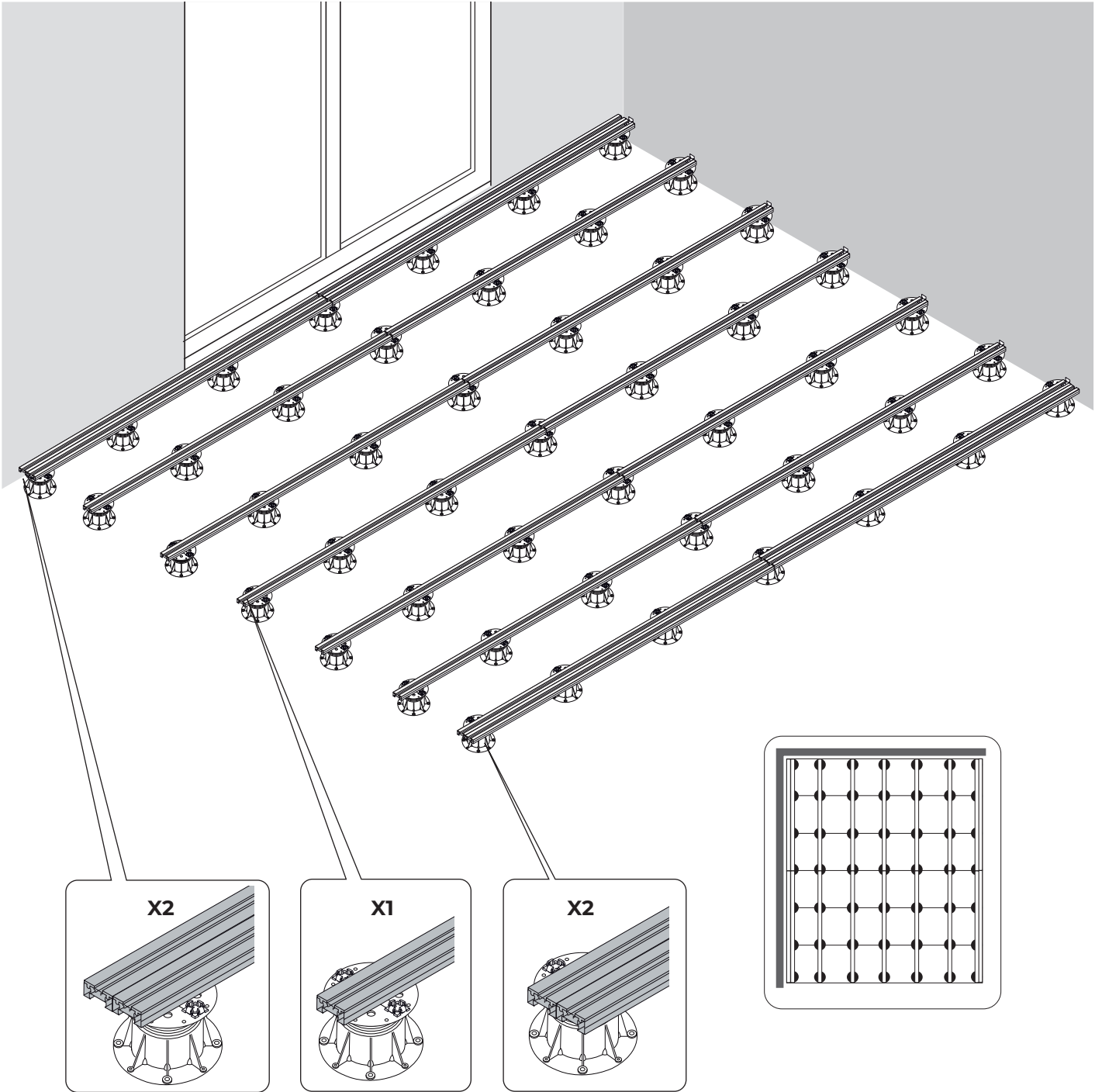


**12**



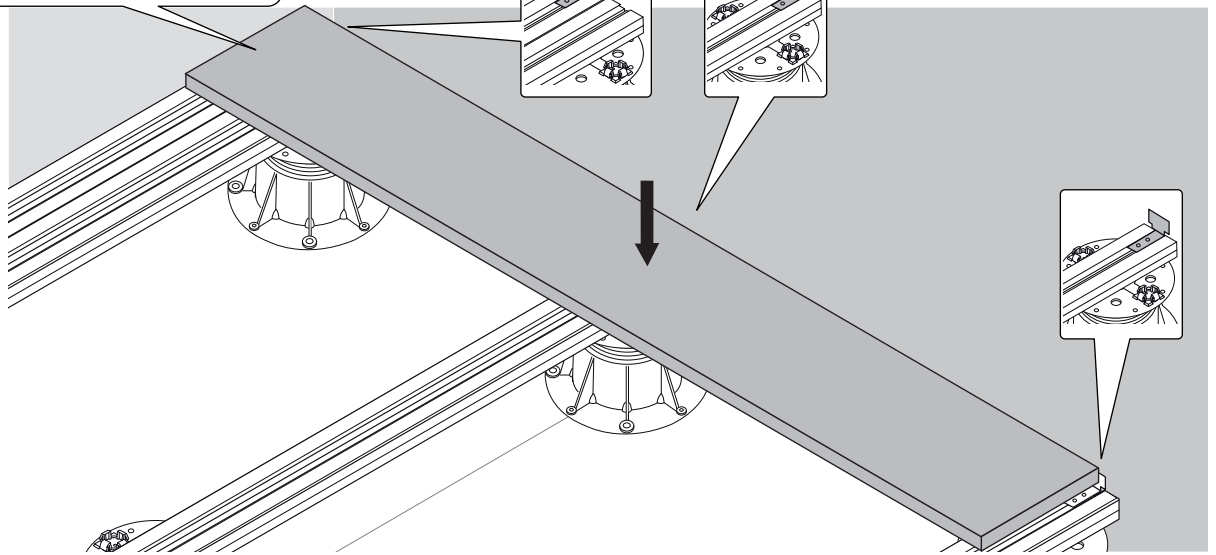
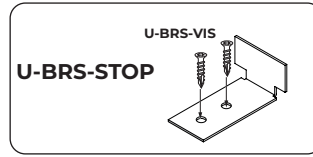
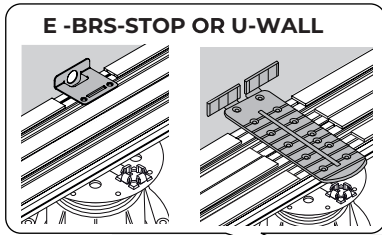
**13**





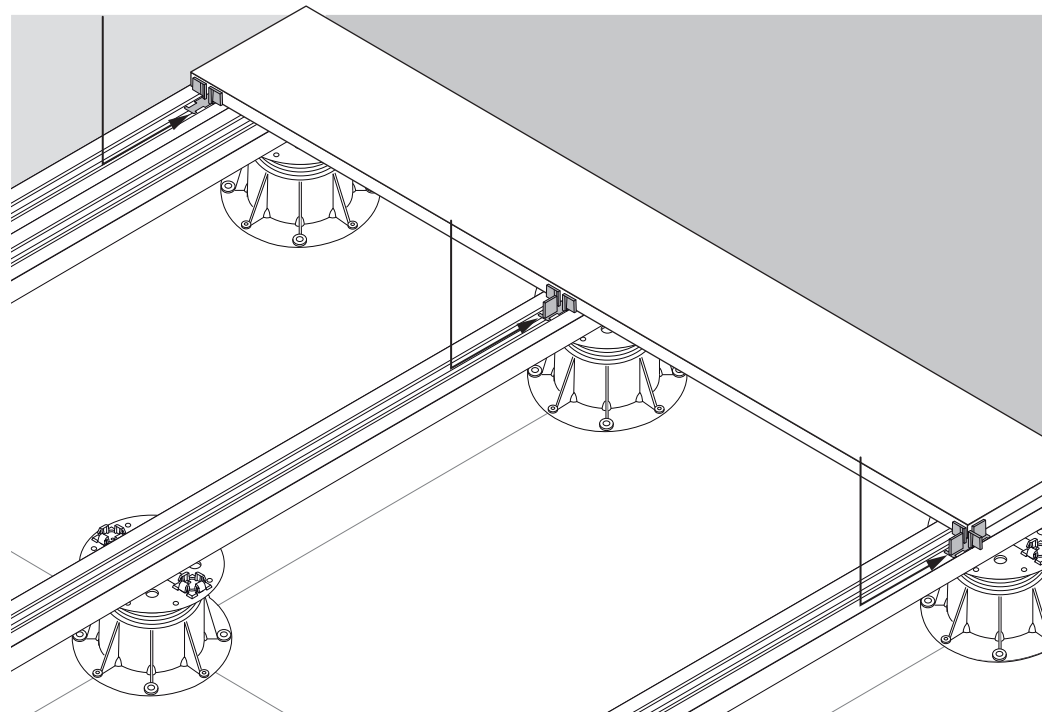
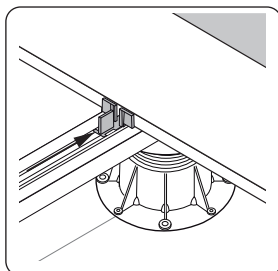
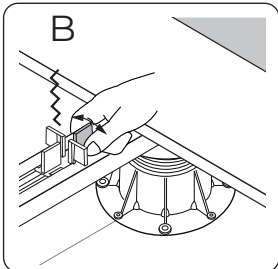
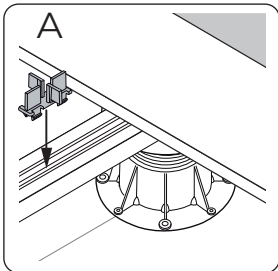
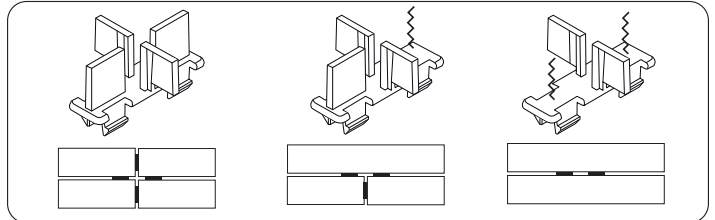
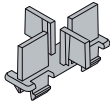
**2 rails on the sides**

15



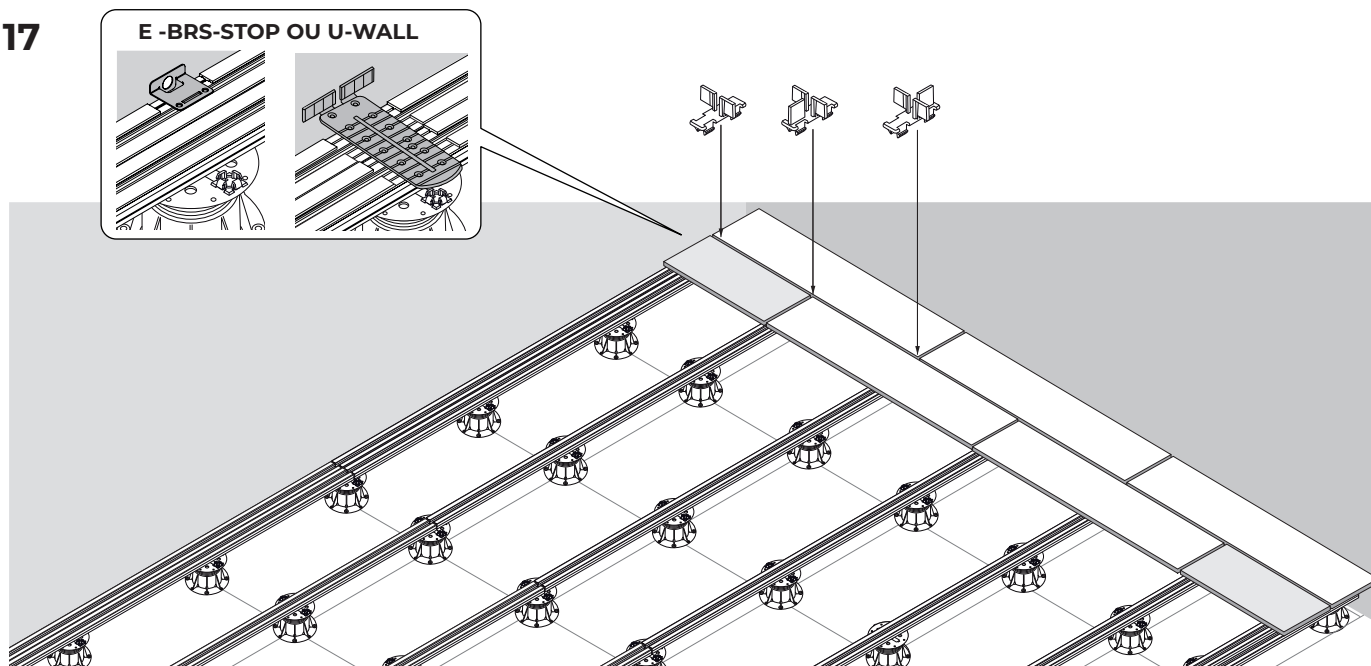
16

U-BRS-TABS

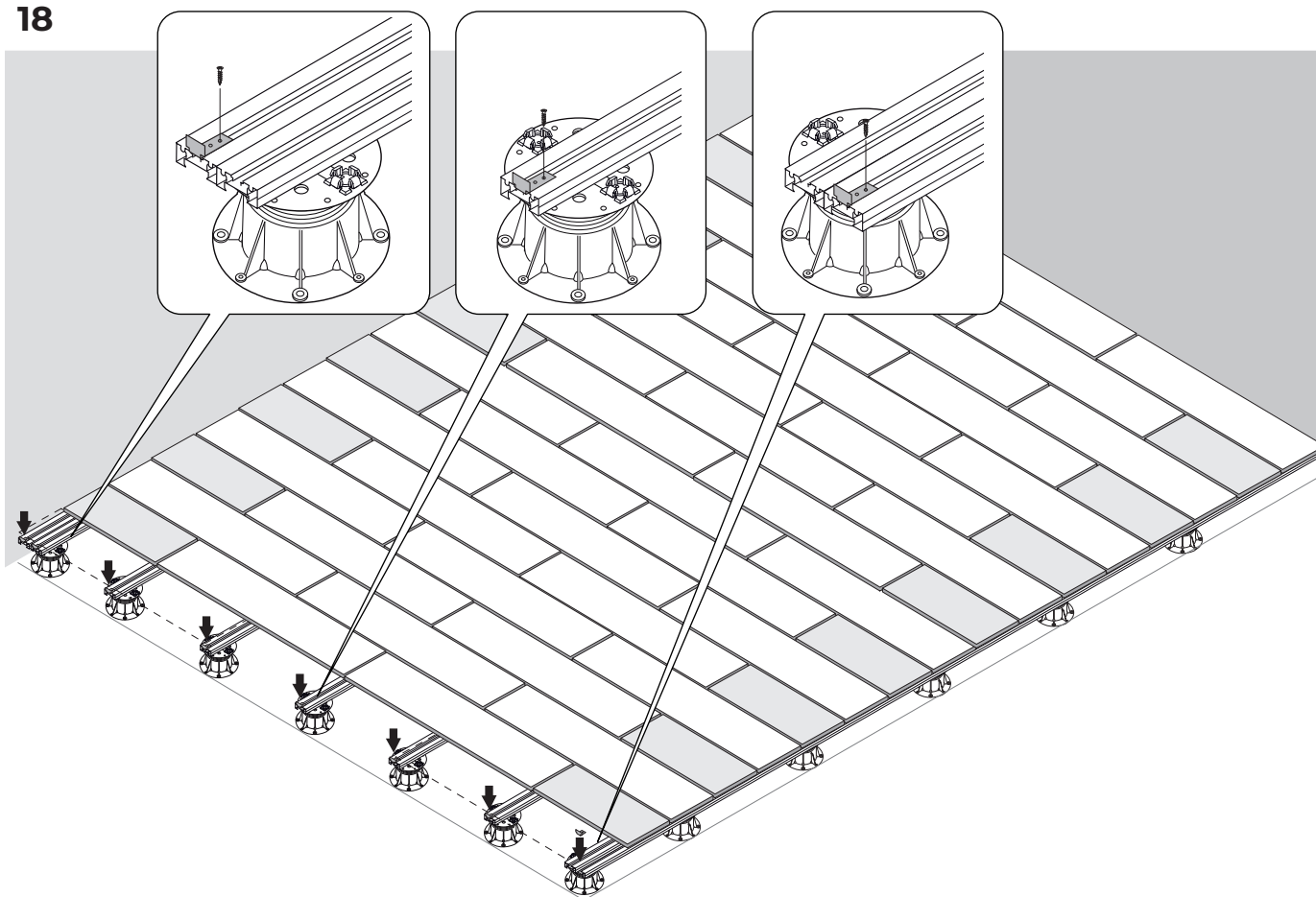


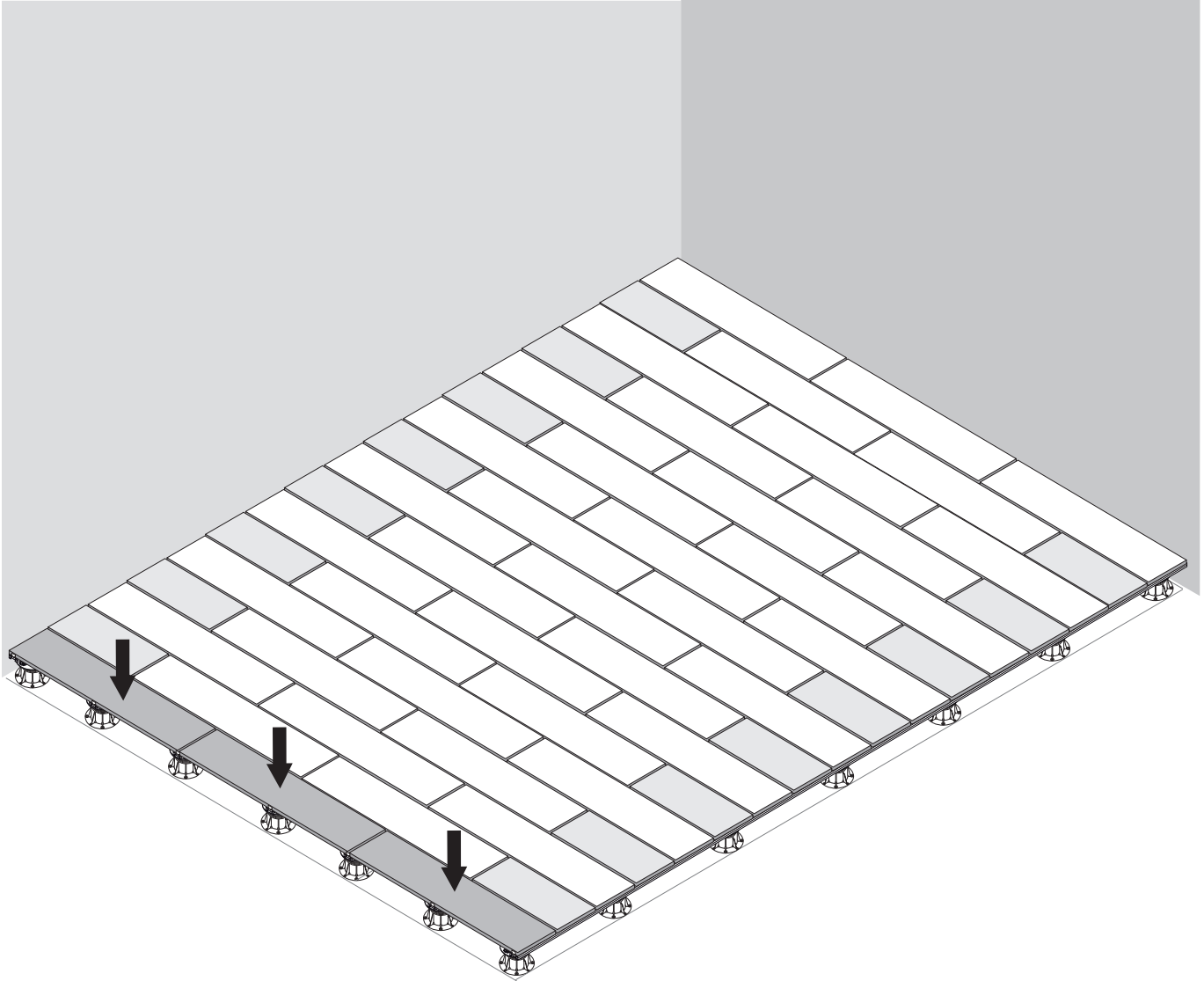
**17**

**E -BRS-STOP OU U-WALL**

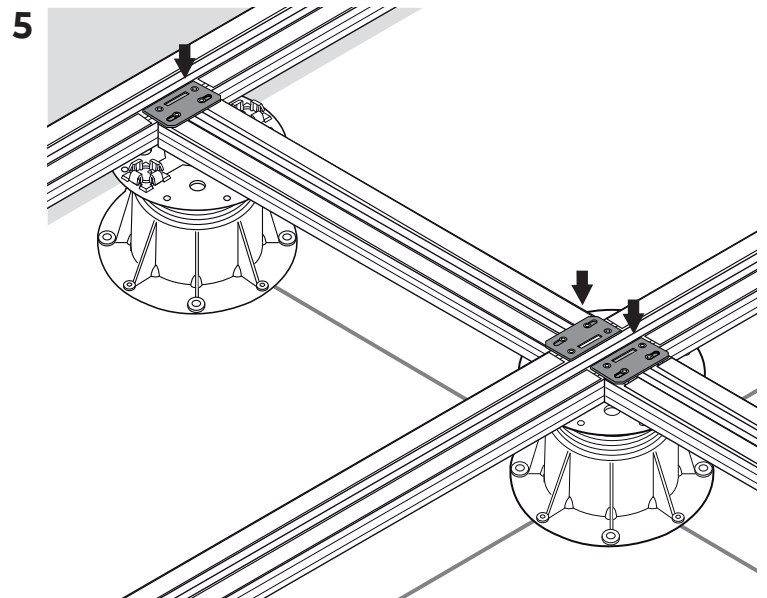
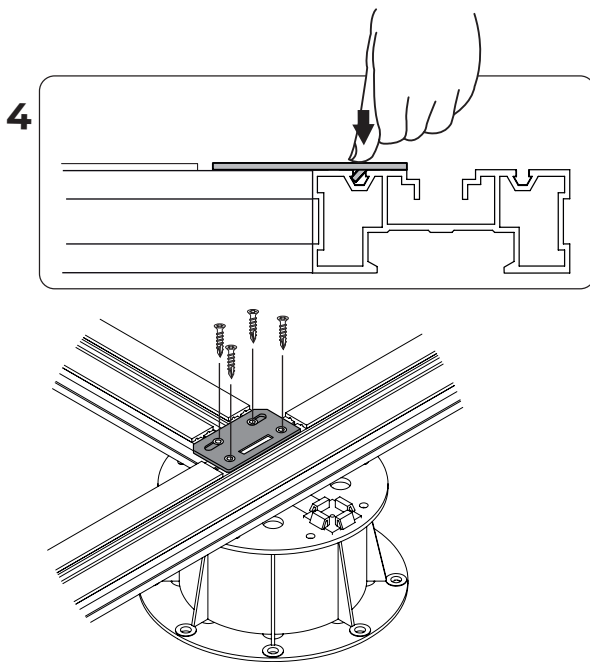
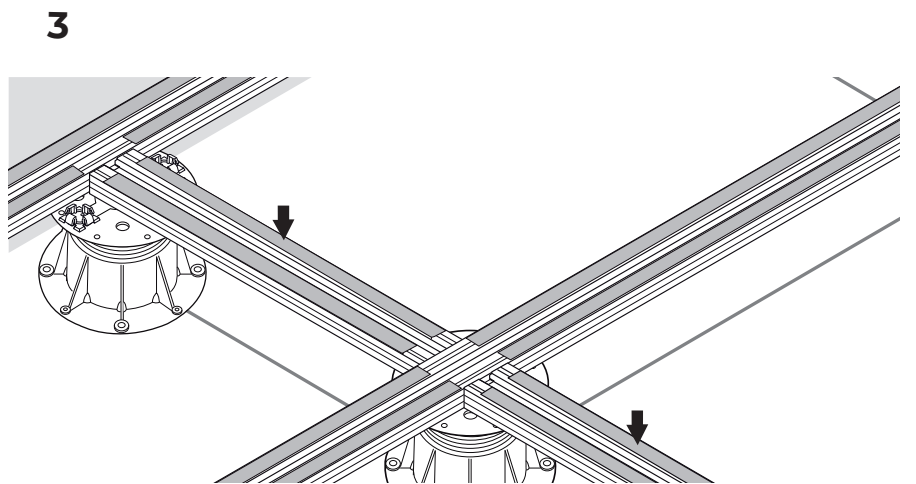
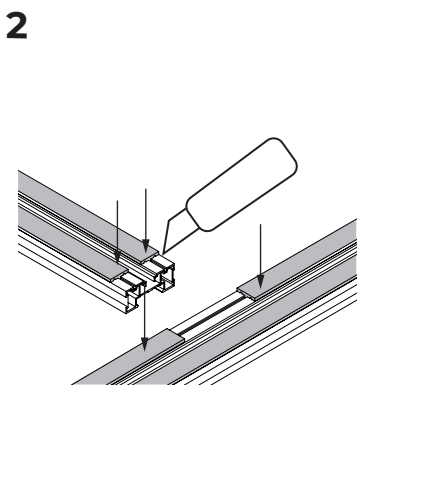
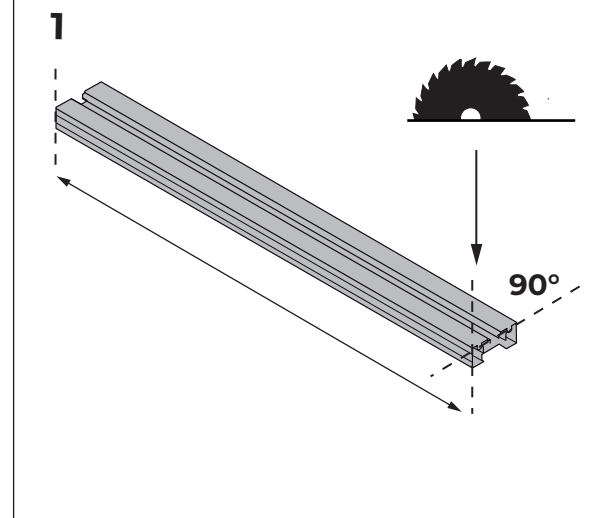
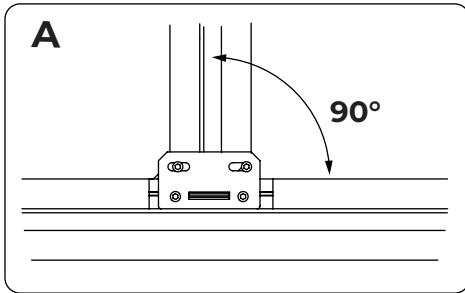
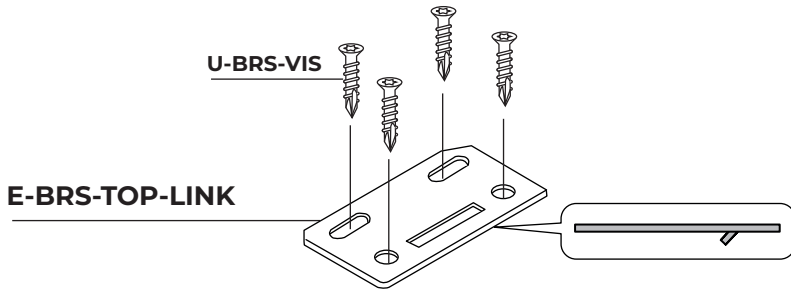


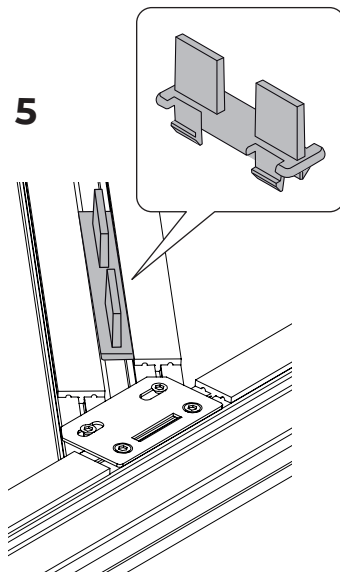
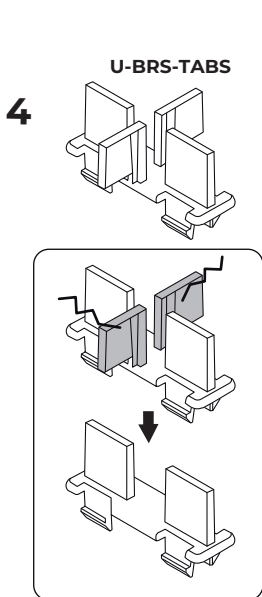
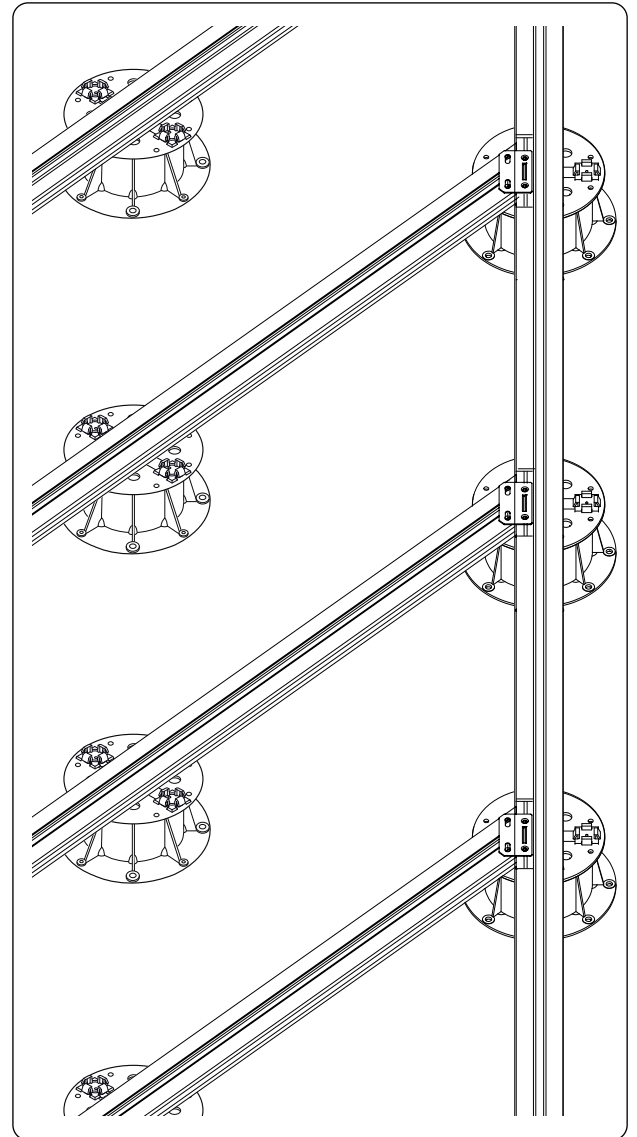
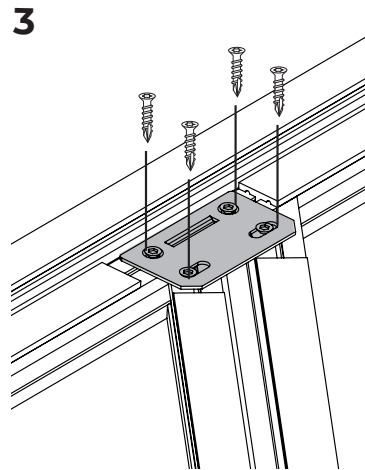
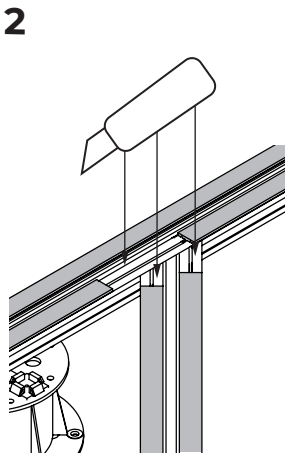
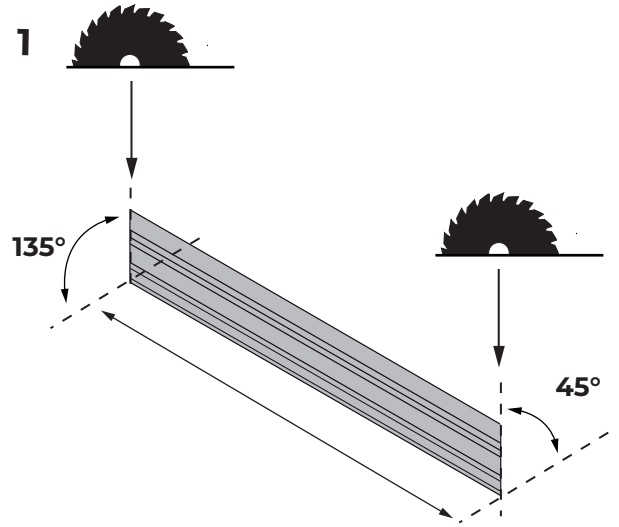
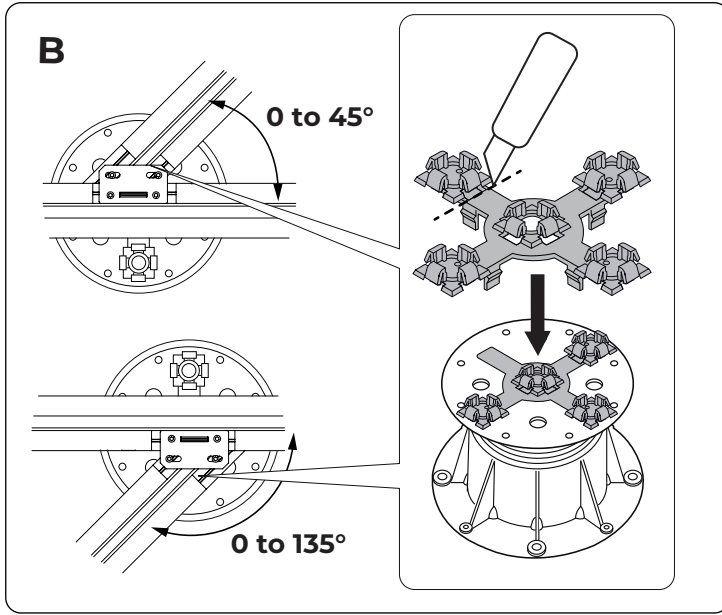
**18**



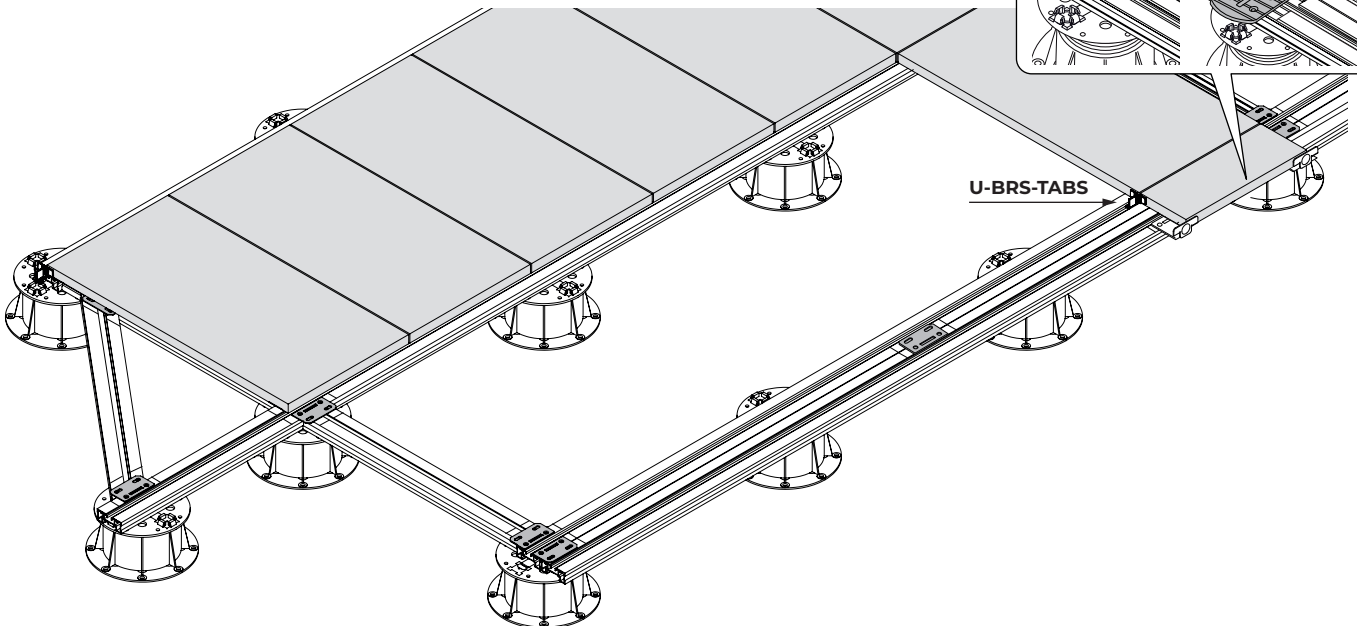
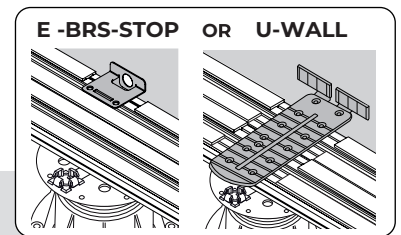
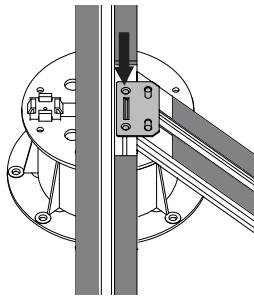
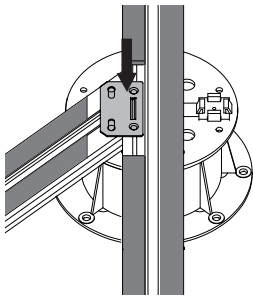
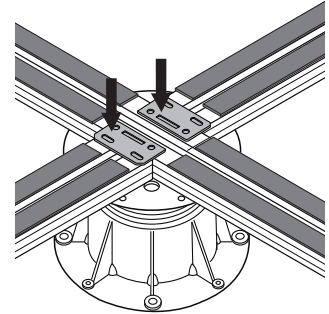
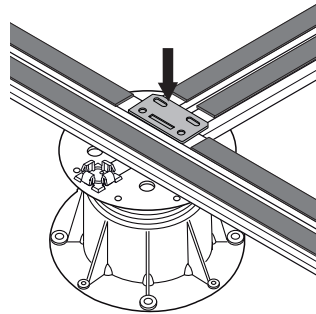
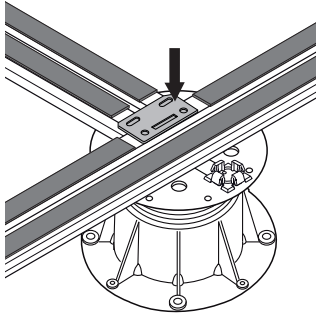
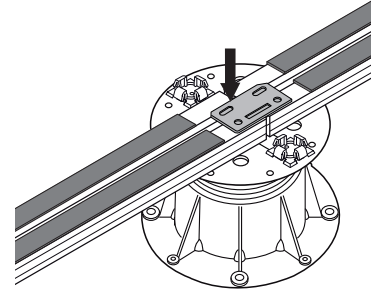
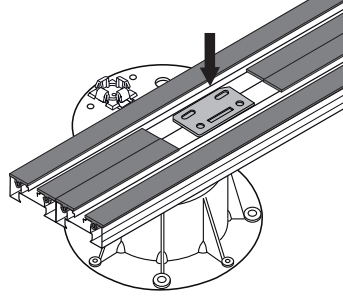
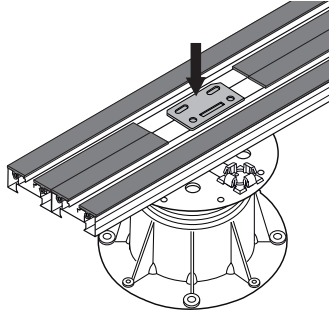
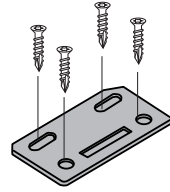


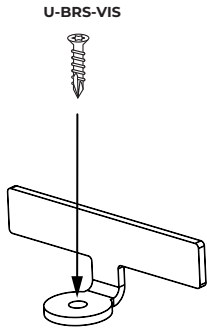




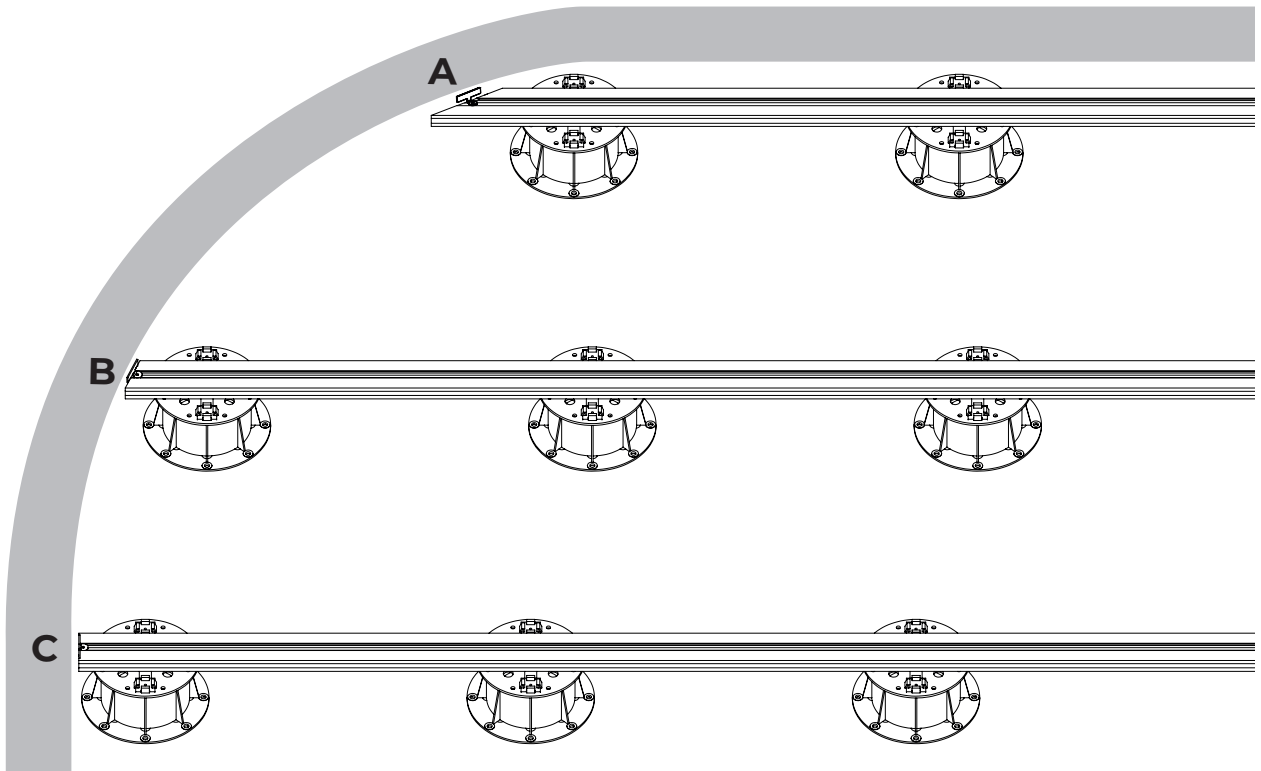
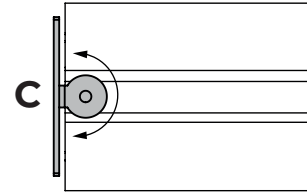
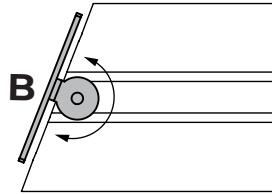
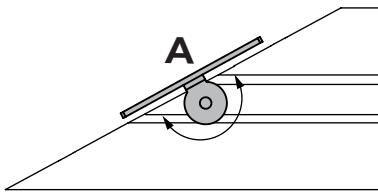
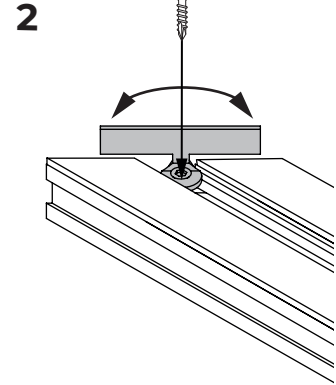
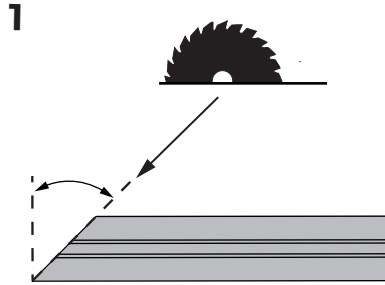


**Rail locking with E-BRS-TOP-LINK**

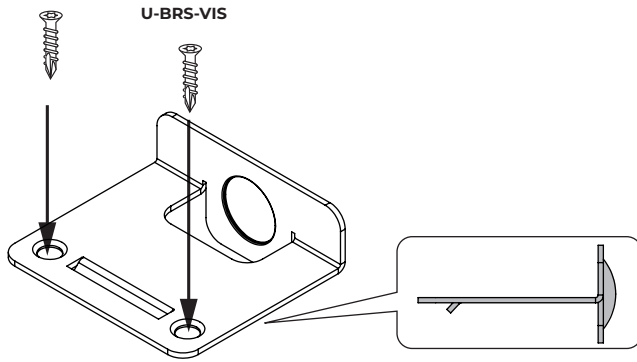




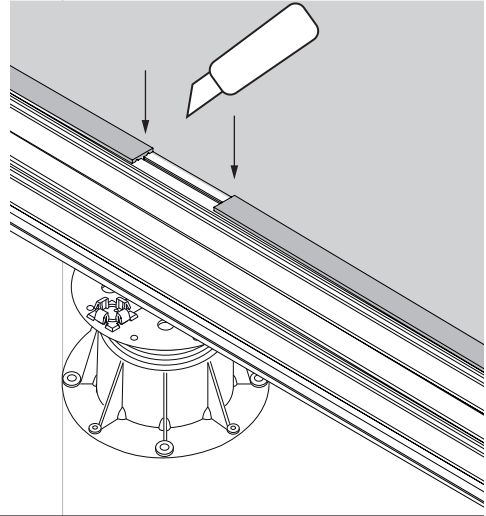
E-BRS-STOP-ROUND



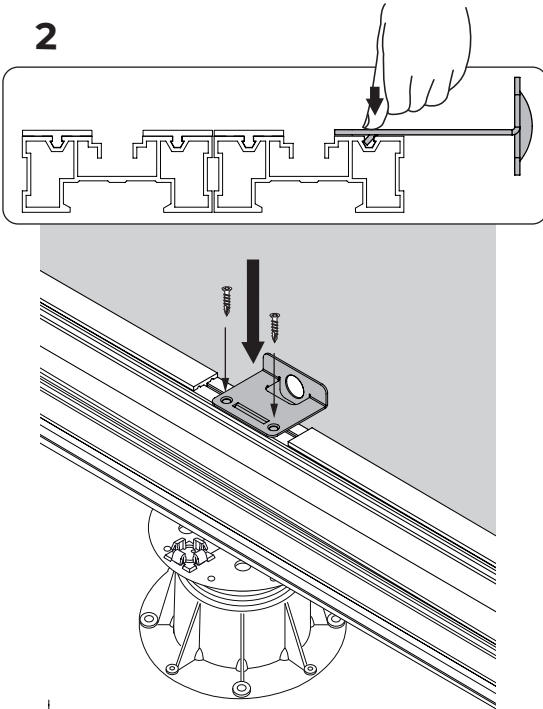
## E-BRS-WALL



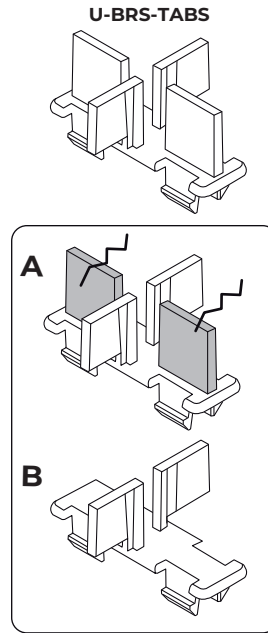
1



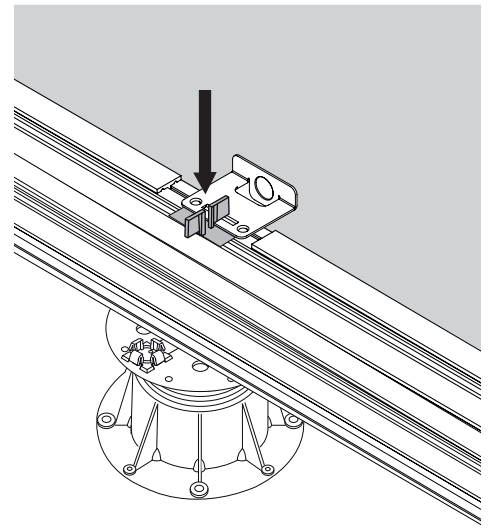
2



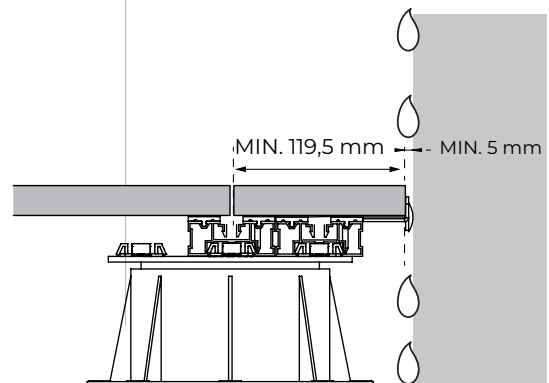
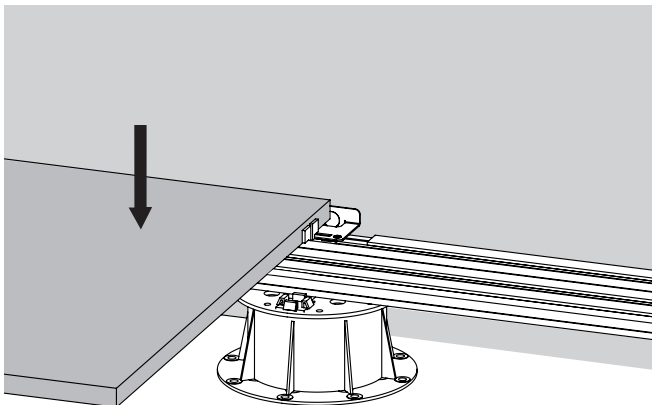
3

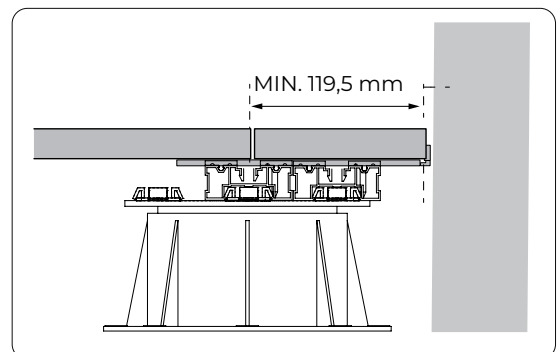
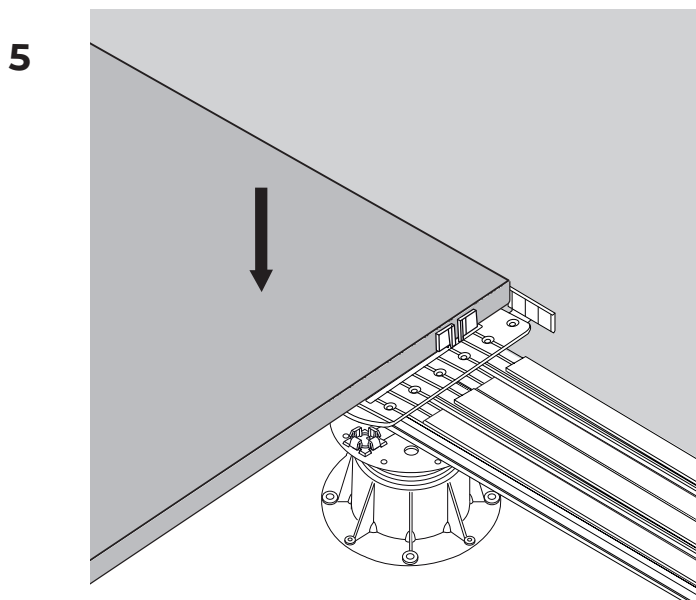
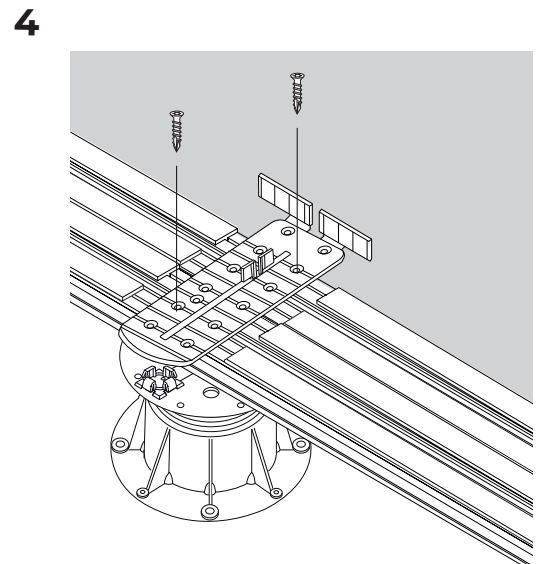
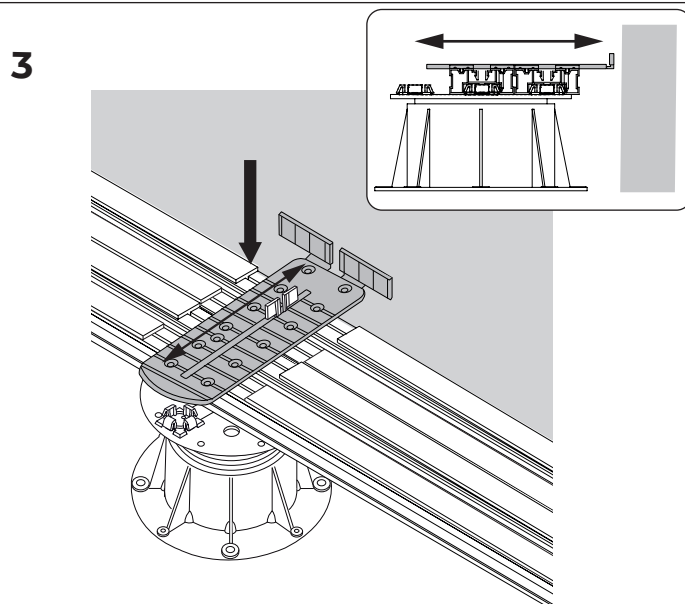
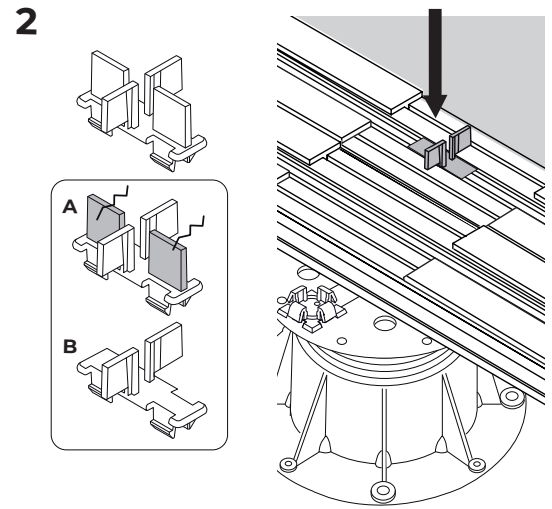
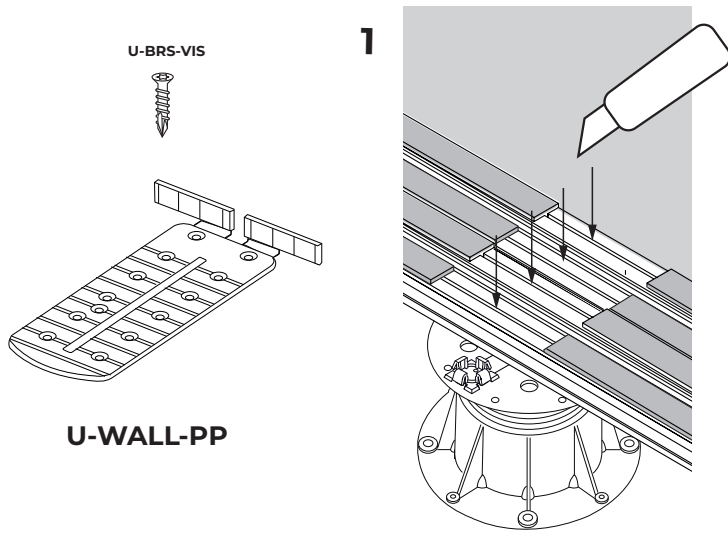


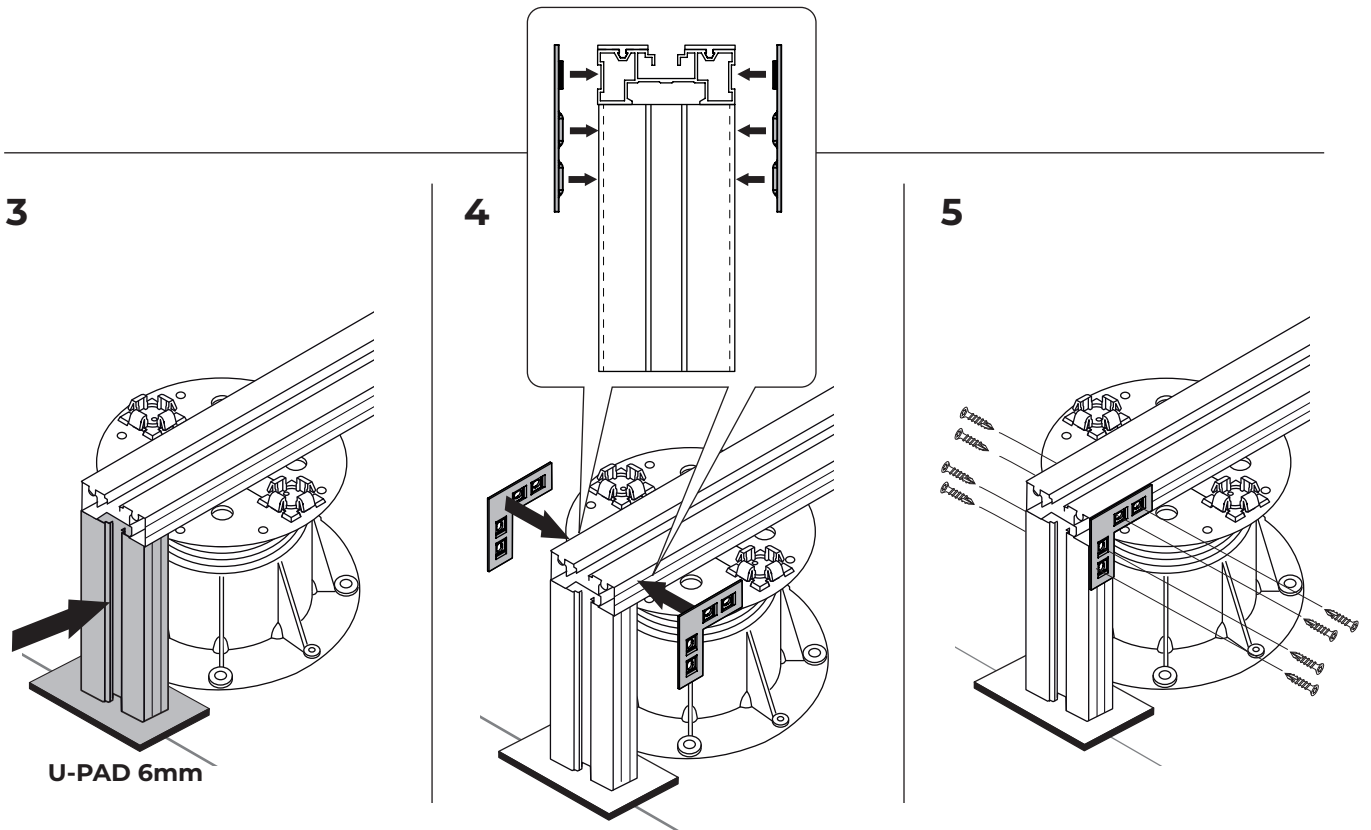
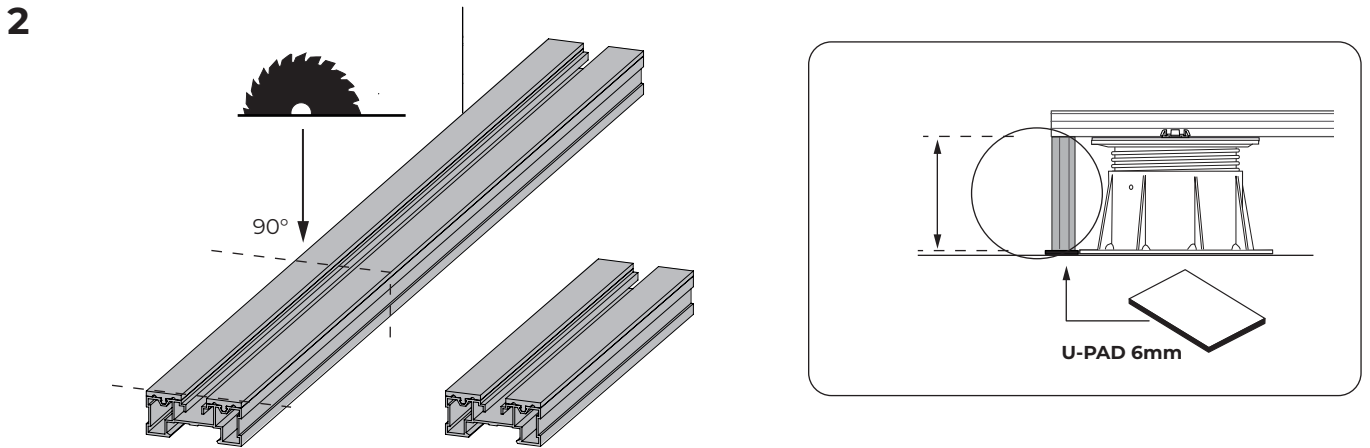
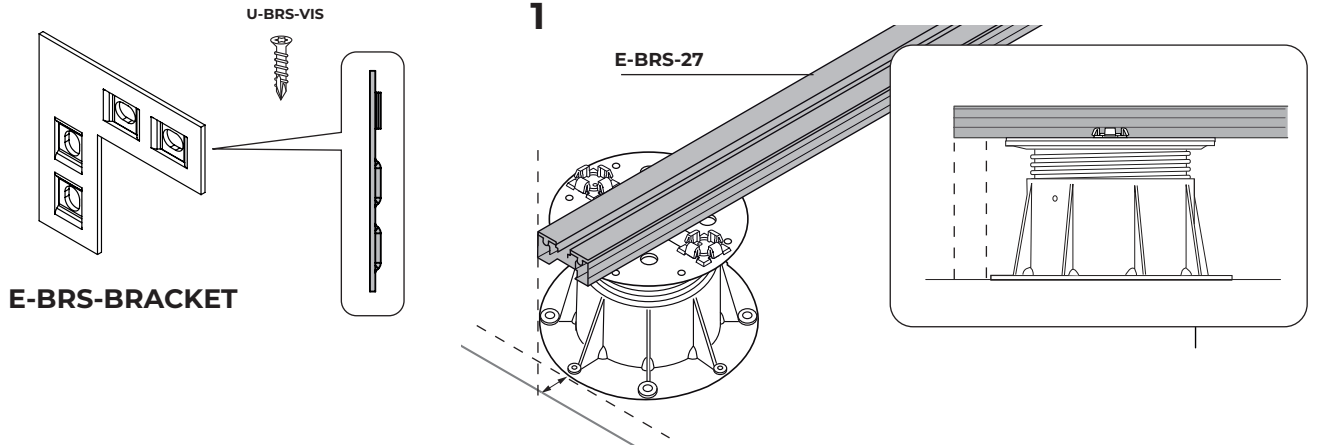
4



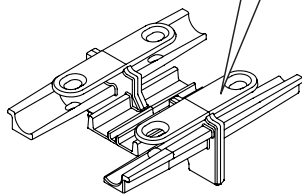
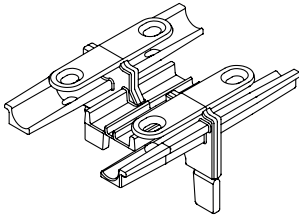
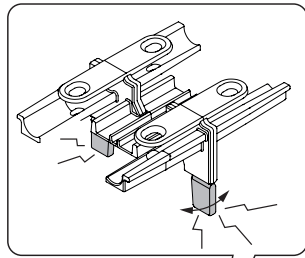
5







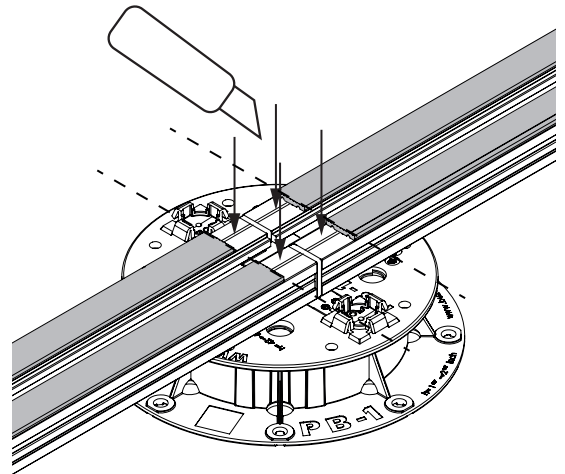
**E-BRS-CONNECTION**



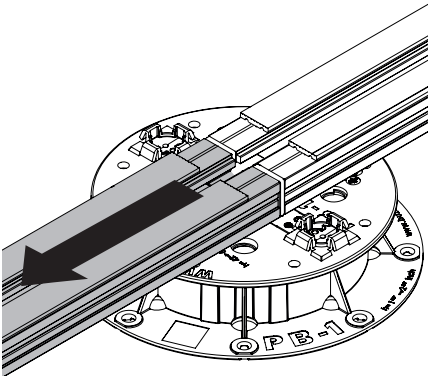
**E-BRS-CONNECTION-41**

**E-BRS-CONNECTION-27**

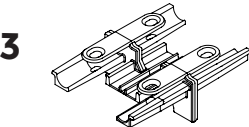
**1**



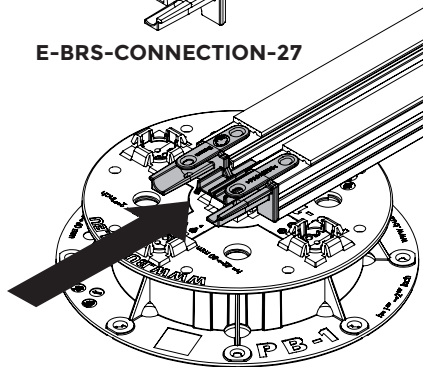
**2**



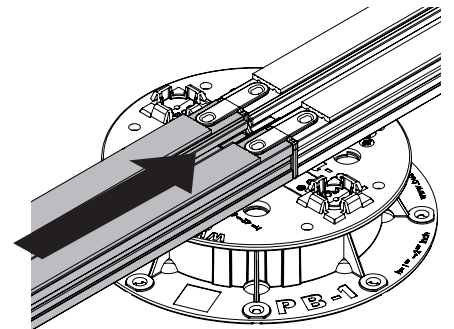
**3**



**E-BRS-CONNECTION-27**

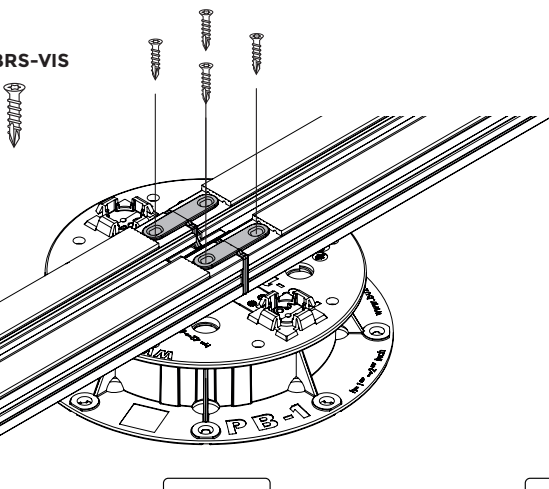


**4**

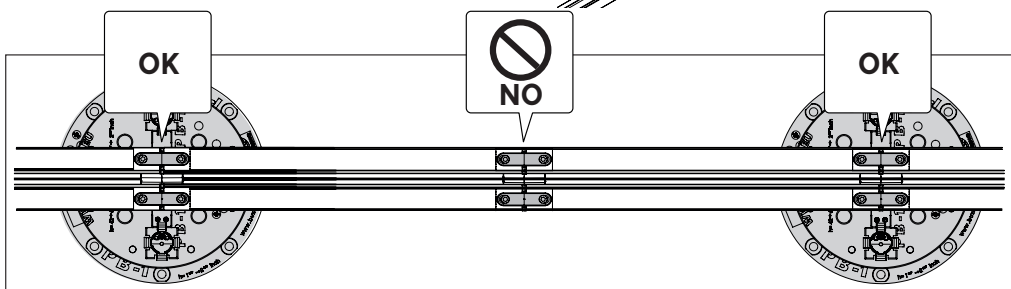
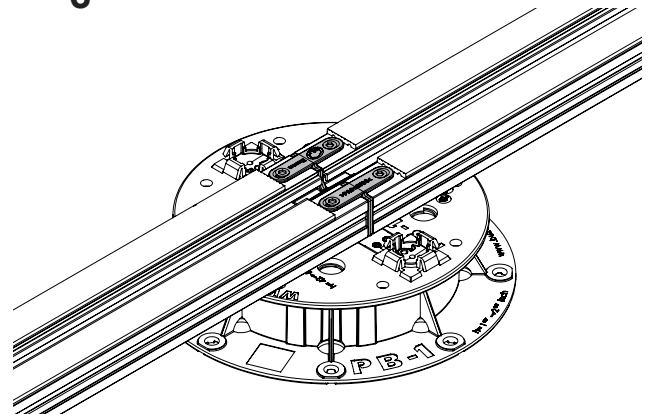


**5**

**U-BRS-VIS**

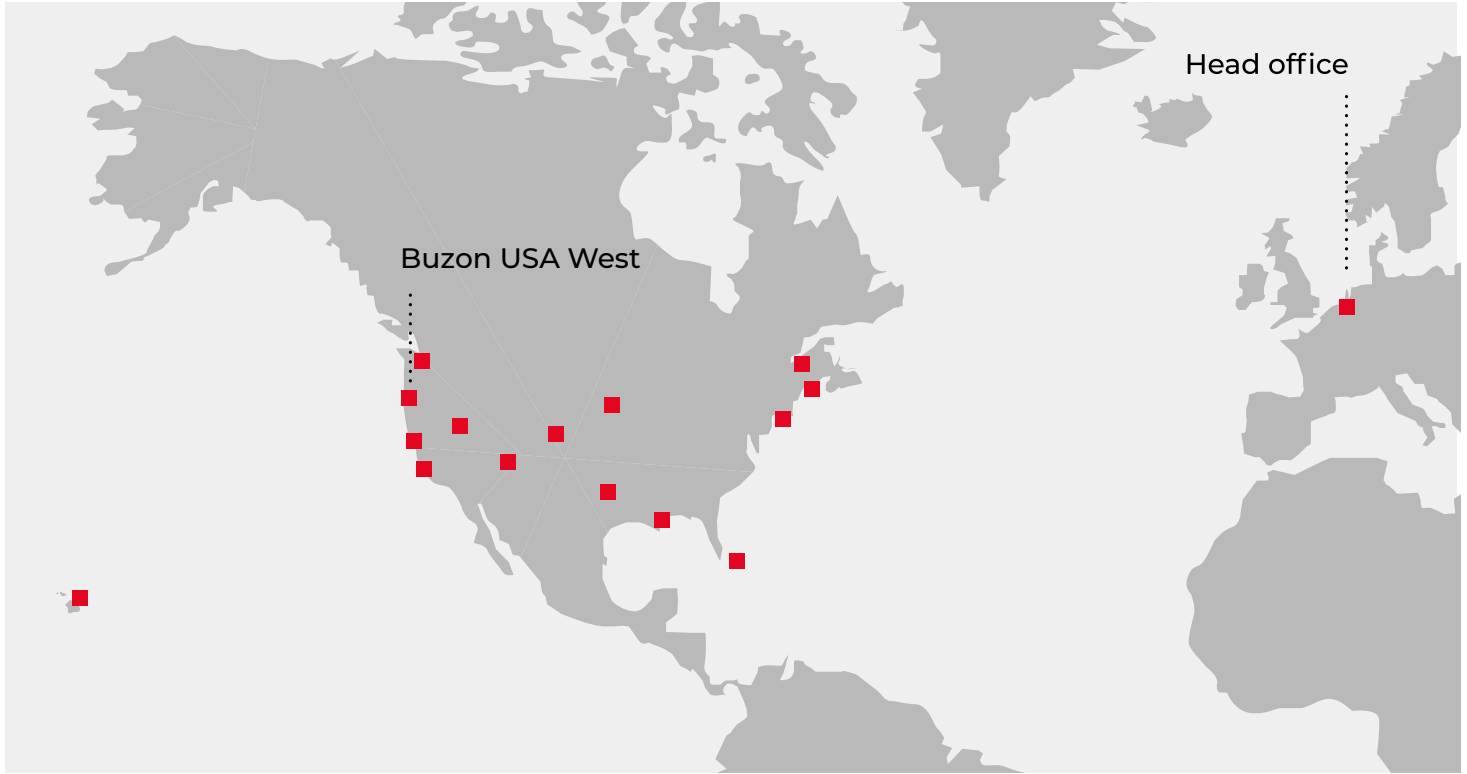


**6**





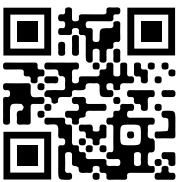
# Buzon USA West Projects



## References

- Sun's Practice Facility - Phoenix, AZ
- Sony Studio HQ - Los Angeles, CA
- Apple Campus - Palo Alto, CA
- Samsung HQ - Palo Alto, CA
- Lucille Packard Children's Hospital - Stanford, CA
- Haas School of Business - UC Berkeley, CA
- IMAX Theater - Nassau, Bahamas
- Four Seasons Hotel - Honolulu, HI
- Canal Street Rooftop Pool - New Orleans, LA

- Smith Center Harvard University - Cambridge, MA
- Microsoft Campus - Redmond, WA
- The Dean - Palo Alto, CA
- Nike Campus HQ - Beaverton, OR
- Hoakalei CC - Ewa Beach, HI
- Hilton Grand Islander - Honolulu, HI
- Four Seasons Resort at Ko Olina - Kapolei, HI
- One World Trade Center - New York City, NY
- Wynn Resort & Casino Hotel - Las Vegas, NV



**Buzon®**  
Buzon USA West  
sales@buzonusawest.com  
buzonpedestals.com  
(503) 954 - 3336

